

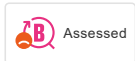
MORA CERA T4 shower mixer

A bathroom is a place for relaxation, pleasure and recharging your batteries. So fill it with enjoyment. Save energy effortlessly, protect against fluctuations in water temperature, take an extra long shower with a clear conscience. Mora Cera puts quality time in your bathroom in countless ways.

Article number: 241150

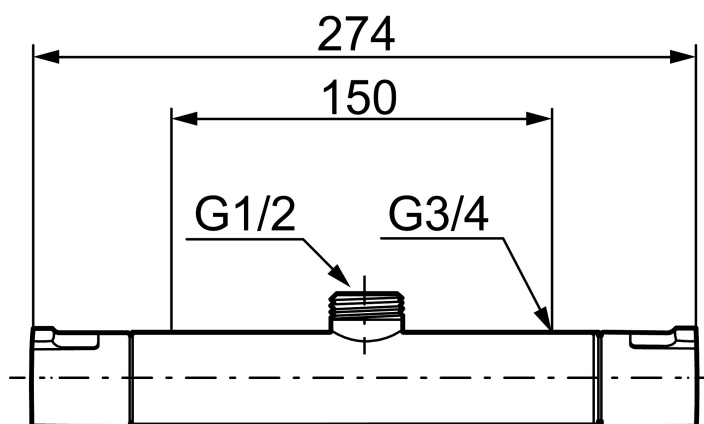
Description: Chrome

Unique characteristics



- With shower connection up for Shower Systems
- Temperature handle with safety stop at 38°C and 42°C
- With Eco-function
- Approved non-return valves, EN-Standard EN1717
- Extra user-friendly grips, approved by the Rheumatism Association in Sweden

Backflow protection unit type 

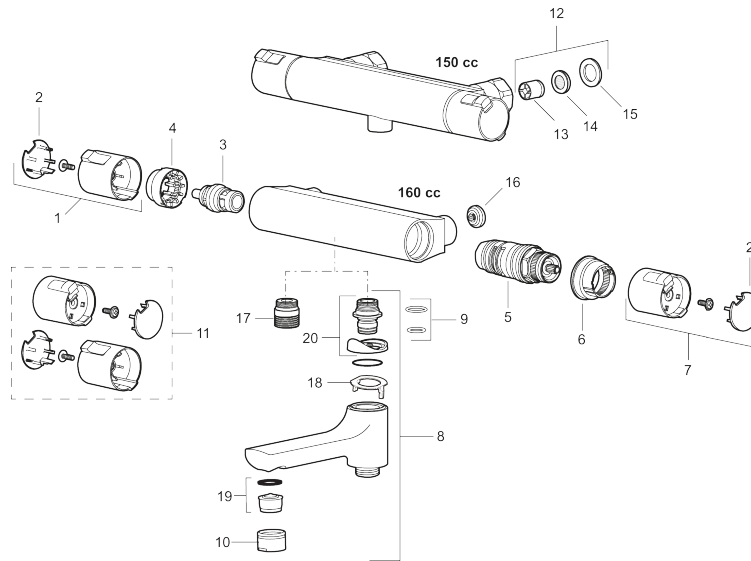


PRODUCT DESCRIPTION

MORA CERA T4 shower mixer

A bathroom is a place for relaxation, pleasure and recharging your batteries. So fill it with enjoyment. Save energy effortlessly, protect against fluctuations in water temperature, take an extra long shower with a clear conscience. Mora Cera puts quality time in your bathroom in countless ways.

Article number: 241150



Sparepartlist

| NO. | ART NO. | RSK | DESCRIPTION |
|-----|-----------|---------|---|
| 1 | 409653.AA | 8345188 | On/off handle, complete, chrome, retail packed |
| 2 | 409658.AA | 8345190 | End cover, chrome, retail packed |
| 3 | S600274 | 8397028 | Ceramic headwork (G15) |
| 4 | 708079.AE | | Eco, Stop ring, on/off |
| 5 | 708764.AE | 8345114 | Thermostatic cartridge |
| 6 | 209556.AE | 8345184 | Stop ring, temperature |
| 7 | 409654.AA | 8345189 | Temperature handle, complete, chrome, retail packed |
| 8 | 409656 | 8344876 | Swivel spout, for conversion of shower mixer to bath/shower mixer, chrome |
| 9 | 209519.AE | 8938340 | O-ring, for swivel spout |
| 10 | 131415.AE | 8281512 | Housing M24 utv., 15 mm, chrome |
| 11 | 409650.AA | 8345187 | On/off- and temperature handle, complete, chrome, retail packed |
| 12 | 708338.AE | | Non-return valve (2 pcs) |
| 13 | 139465.AE | 8186872 | Non-return valve, with lock ring |
| 14 | 708080.AE | | Holder for filter, complete |
| 15 | 709339.AE | 8938274 | Gasket 24/15x2, 2 pcs |

| NO. | ART NO. | RSK | DESCRIPTION |
|-----|-----------|---------|---------------------------------------|
| 16 | 129380.AE | 8345651 | Non-return valve (2 pcs) |
| 17 | 409659.AE | 8187025 | Shower connector M18x1xG1/2 |
| 18 | 38521000 | 8295345 | Stop ring |
| 19 | 139783.AE | 8281546 | Aerator inlet, 20–24 l/min at 300 kPa |
| 20 | 209494.AE | 8314141 | Spout nipple incl cover ring |