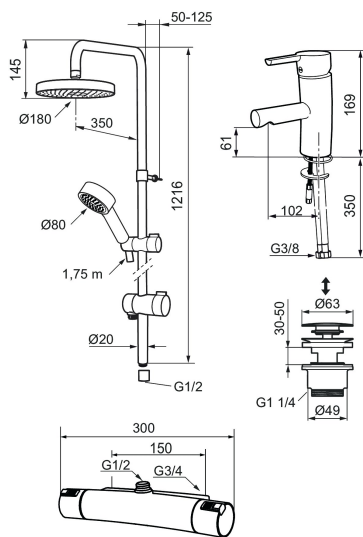




Unique characteristics



MORA MMIX bathroom concept

Article number: 731309.0011

Description: Chrome/black

Consist of:

Mora MMIX thermostatic mixer art.no. 731150.0011DB

- Pressure balanced thermostatic mixer
- Temperature handle with safety stop at 38°C
- With Eco-function
- Lead Free material
- Approved non-return valves, EN-Standard EN1717

Mora MMIX Shower System S5 art.no. 130313

- Diverter with ceramic cartridge
- Shower hose in metal, PVC- and BPA-free
- With Easy-Clean anti-limescale system
- Shower bar can be shortened if required
- Diverter can be mounted with lever pointing in chosen direction
- Eco (energy and water saving hand shower 9 l/min, shower head 12 l/min)

Mora MMIX basin mixer with push-down waste art.no. 733071.CA

- ESS (energy saving system)
- Ceramic cartridge with soft closing function
- Adjustable flow control and temperature limiter
- Eco (energy and water saving constant flow aerator, 5 l/min at 200–600 kPa)
- Soft PEX[®] hoses with 3/8" connecting nut (stainless steel braided)
- Approved by the Rheumatism Association in Sweden
- Lead Free material
- Hole diameter Ø28-37 mm