



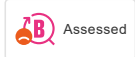
MORA REXX K6 kitchen mixer

With their simple, minimalist design, Mora REXX mixers are the essence of Scandinavian design and functionality. Their innovation lies in their precision. When tradition and craftsmanship meet state-of-the-art manufacturing methods and inspiring design, the result is Mora REXX. The version shown here is a beautiful kitchen mixer with built-in intelligent function.


Article number: 707110.0011 Flow 3 bar: 8.1 l/m

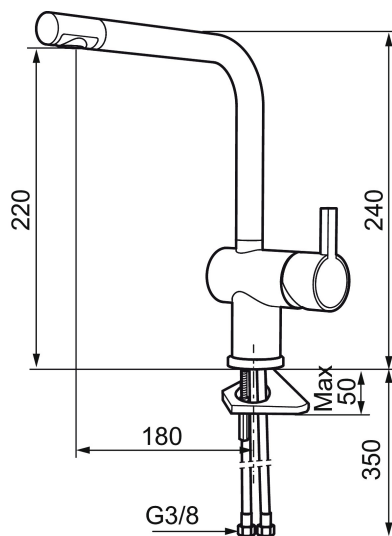
Description: Chrome/black

Unique characteristics



- ESS (energy saving system)
- Ceramic cartridge
- Adjustable flow control and temperature limiter
- Eco (energy and water saving constant flow aerator, 7,6 l/min at 200–600 kPa)
- Soft PEX[®] hoses with 3/8" connecting nut (stainless steel braided)
- Swivel spout, limitation part for 60°, 120° or 360° included
- Hole diameter Ø32-35 mm

Backflow protection unit type 

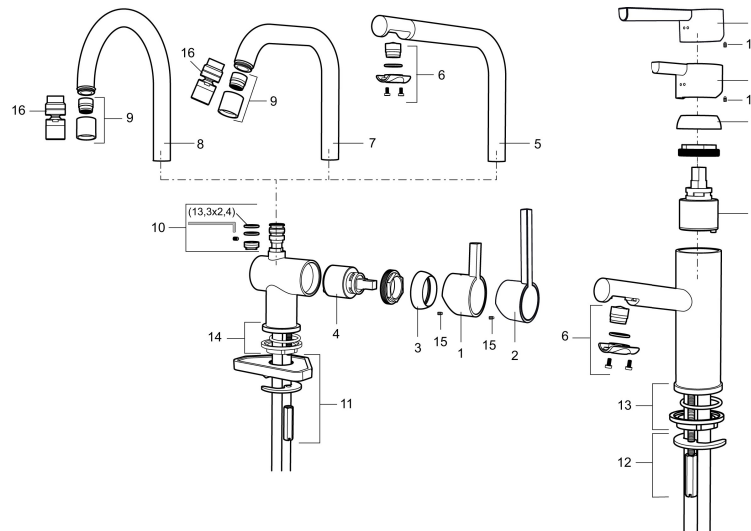


PRODUCT DESCRIPTION

MORA REXX K6 kitchen mixer

With their simple, minimalist design, Mora REXX mixers are the essence of Scandinavian design and functionality. Their innovation lies in their precision. When tradition and craftsmanship meet state-of-the-art manufacturing methods and inspiring design, the result is Mora REXX. The version shown here is a beautiful kitchen mixer with built-in intelligent function.

Article number: 707110.0011



Sparepartlist

| NO. | ART NO. | RSK | DESCRIPTION |
|-----|---------------|---------|--|
| 1 | 209500.AE | 8346901 | Handle, chrome |
| 1 | 209500.0011AE | 8346917 | Handle, chrome/black |
| 2 | 409337 | 8346503 | Care-handle, chrome |
| 3 | 209501.AE | 8346902 | Cover nut, chrome |
| 4 | 209493.AE | 8345204 | Ceramic cartridge, ESS |
| 4 | 708301.AE | 8345093 | Ceramic cartridge |
| 5 | 209506.AE | 8346907 | L-spout, complete, chrome |
| 5 | 209506.0011AE | 8326728 | L-spout, complete, chrome/black |
| 6 | 209502.AE | 8346903 | Aerator kit, L-spout, 7,6 l/min at 200–600 kPa, chrome |
| 6 | 209502.0011AE | 8346921 | Aerator kit, L-spout, 7,6 l/min at 200–600 kPa, chrome/black |
| 7 | 209508.AE | 8346909 | J-spout, complete, chrome |
| 8 | 209507.AE | 8346908 | C-spout, complete, chrome |
| 9 | 209503.AE | 8346904 | Aerator M18 int., 7,6 l/min at 200–600 kPa, chrome |
| 10 | 209520.AE | 8346910 | Gasket kit, incl. o-rings, limitation part, screw and wrench |
| 11 | 708779.AE | | Fastening details, kitchen |
| 12 | 209518.AE | 8346911 | Fastening details |

| NO. | ART NO. | RSK | DESCRIPTION |
|-----|-----------|---------|--|
| 13 | 209562.AE | | Locating ring, basin |
| 14 | 209563.AE | 8295335 | Locating ring, kitchen |
| 15 | 459013 | | Locking screw |
| 16 | 409480.AE | 8393983 | Aerator M18 int., ball joint, 7–9 l/min at 300 kPa |