



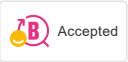
MORA MMIX K2 kitchen mixer

Mora MMIX combines elegance and ergonomic design with energy-efficiency. Soft geometric curves and a timeless style characterise the entire Mora MMIX range. The mixers were developed according to our unique EcoSafe™ concept focusing on low energy consumption and long-term environmental care.

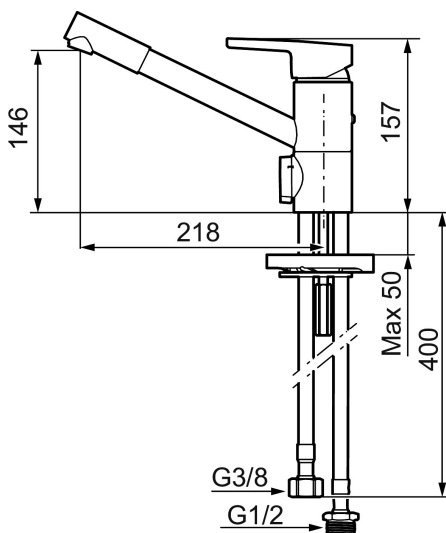
Article number: 732251.TT Flow 3 bar: 9.8 l/m

Description: Chrome, with Turbo-Jet function

Unique characteristics



Backflow protection unit type **AA**



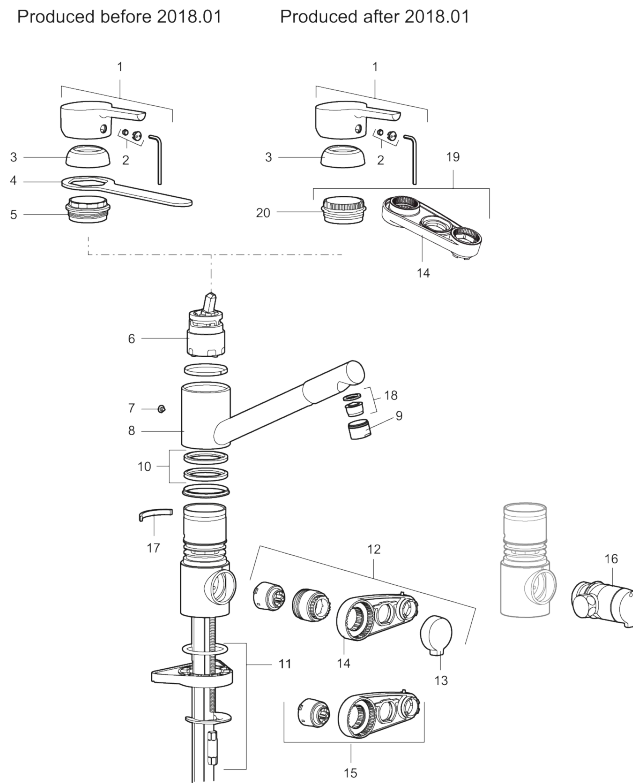
- ESS (energy saving system)
- Ceramic cartridge with soft closing function
- Adjustable flow control and temperature limiter
- Eco (energy and water saving aerator)
- Soft PEX® hoses with 3/8" connecting nut (stainless steel braided)
- Swivel spout 110°
- With dishwasher valve, switchable between cold and hot water. Pre-set on cold water
- Lead Free material
- Hole diameter Ø34-37 mm

PRODUCT DESCRIPTION

MORA MMIX K2 kitchen mixer

Mora MMIX combines elegance and ergonomic design with energy-efficiency. Soft geometric curves and a timeless style characterise the entire Mora MMIX range. The mixers were developed according to our unique EcoSafe™ concept focusing on low energy consumption and long-term environmental care.

Article number: 732251.TT



Sparepartlist

NO.	ART NO.	RSK	DESCRIPTION
1	409389.AE	8344867	Lever, complete
2	409392.AE	8344866	Colour marking and mounting screw for lever
3	409391.AE	8344865	Cover nut
5	409610.AE	8241743	Lock nut for cartridge
6	S600273	8387230	Ceramic cartridge with service tool, cold start (green ring)
6	409405.AE	8345205	Ceramic cartridge, Turbo, incl service tool
7	409611.AE	8241744	Stop screw
8	409685	8242427	Swivel spout, complete with jet concentrator
9	131417.AE	8281513	Housing M24 ext., 17 mm
10	S600301	8387255	Sealing rings, 2 pcs
11	409457.AE		Fastening details for mixers without on/off valve
11	409458.AE		Fastening details for mixers with on/off valve

NO.	ART NO.	RSK	DESCRIPTION
12	409104.AE	8322314	Dishwasher isolator cartridge, incl. service tool
13	409400.AE	8345180	Handle for dish washer connection
14	S600298	3870203	Service tool
15	S600337	8346905	Ceramic cartridge for dishwasher, with service tool
15	S600316	8387265	Ceramic cartridge for dishwasher, without service tool
16	409399.AE	8347223	Rebuild.kit for dish washer
17	209558.AE	8346933	Limitation clapm for fixed spout and swivel 30-90°
18	131398.AE	8281493	Aerator insert, 9–11 l/min at 300 kPa
19	409393.AE	8345179	Lock nut for cartridge, incl service tool
20	439060.AE	8295361	Lock nut