



MORA INXX II sharp kitchen mixer

With its durable matt white finish and strong personality, the INXX II sharp kitchen mixer makes a stylish, contemporary statement in your kitchen. The mixer has been tested and approved according to current building regulations and is energy-efficient, which means it reduces water and energy use without compromising on comfort.

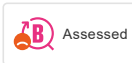
About the collection


INXX II is an elegant, timeless collection in a palette of carefully selected colours. Offering a combination of high quality, sober design and outstanding comfort, this is the ultimate collection.

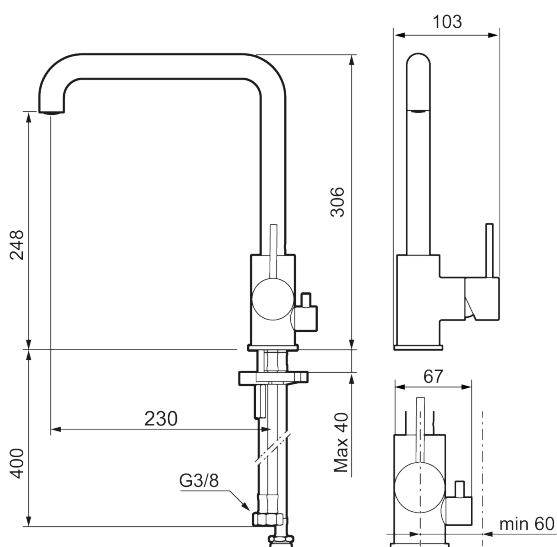
Article number: 272071.22CA Flow 3 bar: 6.0 l/m

Description: Matte white

Unique characteristics



Backflow protection unit type 



- Ceramic cartridge
- Adjustable flow control and temperature limiter
- Eco (energy and water saving constant flow aerator, 6 l/min at 200–600 kPa)
- Soft PEX® hoses with 3/8" connecting nut (stainless steel braided)
- Swivel spout, limitation part for 60°, 85°, 110° or 360° included
- With dish washer valve CW, not adjustable to HW
- Hole diameter Ø34-37 mm

PRODUCT DESCRIPTION

MORA INXX II sharp kitchen mixer

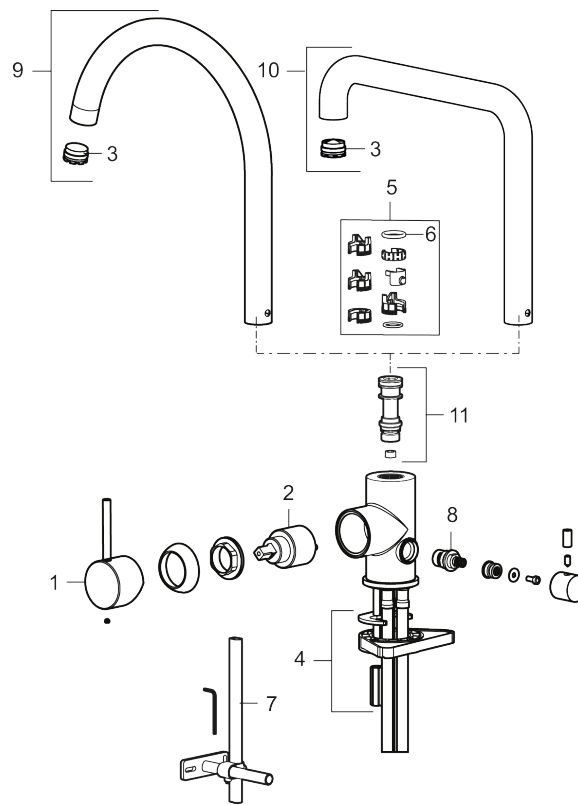
With its durable matt white finish and strong personality, the INXX II sharp kitchen mixer makes a stylish, contemporary statement in your kitchen. The mixer has been tested and approved according to current building regulations and is energy-efficient, which means it reduces water and energy use without compromising on comfort.

About the collection

INXX II is an elegant, timeless collection in a palette of carefully selected colours. Offering a combination of high quality, sober design and outstanding comfort, this is the ultimate collection.

Article number:

272071.22CA



Sparepartlist

| NO. | ART NO. | RSK | DESCRIPTION |
|-----|-------------|---------|------------------------------|
| 1 | 409700.AE | 8394069 | Lever, complete, chrome |
| 1 | 409700.12AE | 8394070 | Lever, complete, matte black |
| 1 | 409700.22AE | 8394071 | Lever, complete, matte white |
| 1 | 409700.44AE | 8394072 | Lever, complete, matte grey |

| NO. | ART NO. | RSK | DESCRIPTION |
|-----|-------------|---------|--|
| 1 | 409700.60AE | 8394073 | Lever, complete, polished brass PVD |
| 1 | 409700.62AE | 8394074 | Lever, complete, brushed brass PVD |
| 1 | 409700.76AE | 8394075 | Lever, complete, brushed nickel |
| 2 | 409702.AE | 8437059 | Ceramic cartridge |
| 3 | S600230 | | Aerator M21,5 ext., Z |
| 4 | S600055 | | Fastening details |
| 5 | 209565.AE | | Limitation segment |
| 6 | 708843.AE | 8295357 | O-ring (15,54 x 2,62), 2 pcs |
| 7 | 409340.AE | 8531598 | Stabilization kit |
| 8 | 409707.AE | 8394082 | Ceramic cartridge for dish washer connection |
| 9 | 409712.AE | 8441027 | Swivel spout, chrome |
| 9 | 409712.12AE | 8441028 | Swivel spout, matte black |
| 9 | 409712.22AE | 8441029 | Swivel spout, matte white |
| 9 | 409712.44AE | 8441030 | Swivel spout, matte grey |
| 9 | 409712.60AE | 8441031 | Swivel spout, polished brass PVD |
| 9 | 409712.62AE | 8441032 | Swivel spout, brushed brass PVD |
| 9 | 409712.76AE | 8441033 | Swivel spout, Brushed nickel |
| 10 | 409713.AE | 8441034 | Swivel spout, chrome |
| 10 | 409713.12AE | 8441035 | Swivel spout, matte black |
| 10 | 409713.22AE | 8441036 | Swivel spout, matte white |
| 10 | 409713.44AE | 8441037 | Swivel spout, matte grey |
| 10 | 409713.60AE | 8441038 | Swivel spout, polished brass PVD |
| 10 | 409713.62AE | 8441039 | Swivel spout, brushed brass PVD |
| 10 | 409713.76AE | 8441040 | Swivel spout, Brushed nickel |
| 11 | S600231 | | Spout nipple, complete |