



MORA IZZY rock kitchen mixer

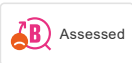
Mora Izzy exudes harmony and elegance. The elegantly curved spout gives Mora Izzy its characteristic look. Izzy Regular has a chrome-plated surface that suits all interiors.

Article number: 702800.80 Flow 3 bar: 11.1 l/m

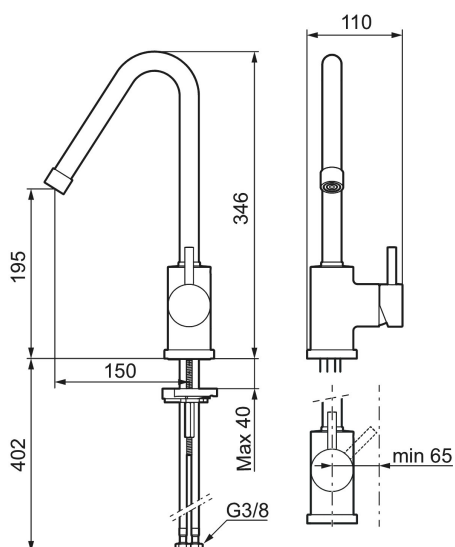
Description: Chrome/grooved

- ESS (energy saving system)
- Adjustable flow control and temperature limiter
- Soft PEX[®] hoses with 3/8" connecting nut (stainless steel braided)
- Swivel spout, limitation part for 60°, 85°, 110° or 360° included
- Hole diameter Ø29-37 mm

Unique characteristics



Backflow protection unit type

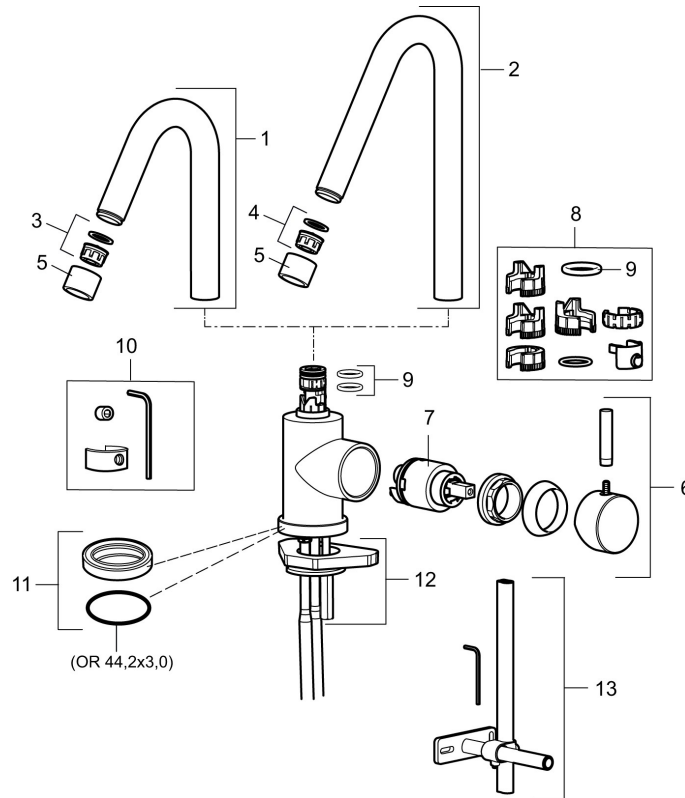


PRODUCT DESCRIPTION

MORA IZZY rock kitchen mixer

Mora Izzy exudes harmony and elegance. The elegantly curved spout gives Mora Izzy its characteristic look. Izzy Regular has a chrome-plated surface that suits all interiors.

Article number: 702800.80



Sparepartlist

NO.	ART NO.	RSK	DESCRIPTION
1	409616.AE	8440596	Spout, complete, basin, chrome
1	409616.25AE	8440602	Spout, complete, basin, rustic brass
1	409616.66AE	8440603	Spout, complete, basin, raw brass
1	409616.80AE	8440604	Spout, complete, basin, chrome/grooved
2	409615.AE	8440595	Spout, complete, kitchen, chrome
2	409615.25AE	8440599	Spout, complete, kitchen, rustic brass
2	409615.66AE	8440600	Spout, complete, kitchen, raw brass
2	409615.80AE	8440601	Spout, complete, kitchen, chrome/grooved
3	131419.AE	8281517	Aerator insert, 5,5–6,5 l/min at 300 kPa
4	131398.AE	8281493	Aerator insert, 9–11 l/min at 300 kPa
5	409618.AE	8281549	Housing M22 int., chrome
5	409618.25AE	8281551	Housing M22 int., rustic brass

NO.	ART NO.	RSK	DESCRIPTION
5	409618.66AE	8281552	Housing M22 int., raw brass
5	409618.80AE	8281553	Housing M22 int., chrome/grooved
6	708995.AE		Lever, complete, chrome
6	708995.25AE		Lever, complete, rustic brass
6	708995.66AE		Lever, complete, raw brass
6	708995.80AE		Lever, complete, chrome/grooved
7	708498.AE	8345125	Ceramic cartridge
8	209565.AE		Limitation segment
9	708843.AE	8295357	O-ring (15,54 x 2,62), 2 pcs
10	409621.AE	8295449	Limitation segment, basin, for fixed spout
11	708578.AE	8483170	Base, complete, single lever mixer, chrome
11	708578.25AE		Base, complete, single lever mixer, rustic brass
11	708578.66AE		Base, complete, single lever mixer, raw brass
11	708578.80AE		Base, complete, single lever mixer, chrome/grooved
12	708779.AE		Fastening details, kitchen
13	409340.AE	8531598	Stabilization kit