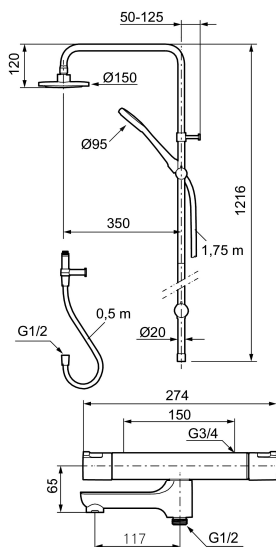




Unique characteristics



MORA CERA bath & shower system kit

Article number: 241905

Description: Chrome

Consist of:

Mora Cera thermostatic mixer art.no. 240100.DB

- Swivel spout with built-in diverter
- Temperature handle with safety stop at 38°C and 42°C
- With Eco-function
- Approved non-return valves, EN-Standard EN1717
- Extra user-friendly grips, approved by the Rheumatism Association in Sweden

Mora Cera Shower System S5 art.no. 130005

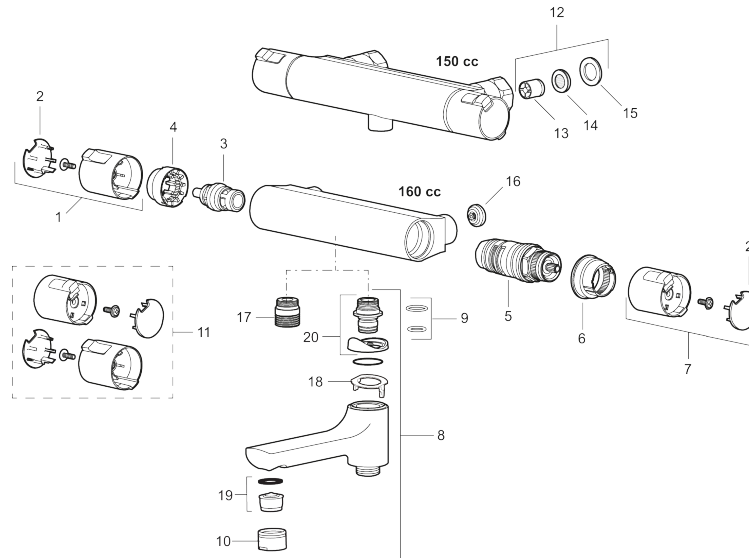
- Diverter with ceramic cartridge
- Shower hose in metal, PVC- and BPA-free
- With Easy-Clean anti-limescale system
- Shower bar can be shortened if required
- Diverter can be mounted with lever pointing in chosen direction
- Air mixture provides comfort flow at 6 l/min, max flow 10 l/min

Mora Shower bar bracket with hose art.no. 130367

PRODUCT DESCRIPTION

MORA CERA bath & shower system kit

Article number: 241905



Sparepartlist

NO.	ART NO.	RSK	DESCRIPTION
1	409653.AA	8345188	On/off handle, complete, chrome, retail packed
2	409658.AA	8345190	End cover, chrome, retail packed
3	409354.AA	8345137	Ceramic headwork, retail packed
4	708079.AE		Eco, Stop ring, on/off
5	708764.AE	8345114	Thermostatic cartridge
6	209556.AE	8345184	Stop ring, temperature
7	409654.AA	8345189	Temperature handle, complete, chrome, retail packed
8	409656	8344876	Swivel spout, for conversion of shower mixer to bath/shower mixer, chrome
9	209519.AE	8938340	O-ring, for swivel spout
10	131415.AE	8281512	Housing M24 utv., 15 mm, chrome
11	409650.AA	8345187	On/off- and temperature handle, complete, chrome, retail packed
12	708338.AE		Non-return valve (2 pcs)
13	139465.AE	8186872	Non-return valve, with lock ring
14	708080.AE		Holder for filter, complete
15	709339.AE	8938274	Gasket 24/15x2, 2 pcs
16	129380.AE	8345651	Non-return valve (2 pcs)
17	409659.AE	8187025	Shower connector M18x1xG1/2

NO.	ART NO.	RSK	DESCRIPTION
18	129154.AE	8295332	Stop ring
19	139783.AE	8281546	Aerator inlet, 20–24 l/min at 300 kPa
20	209494.AE	8314141	Spout nipple incl cover ring