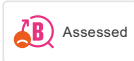

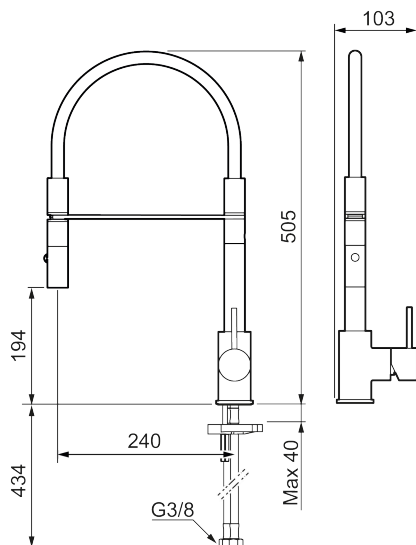




Unique characteristics



Backflow protection unit type 



## MORA INXX II miniprofi kitchen mixer

With its durable matt grey finish and contemporary look, the INXX II miniprofi is a strikingly tall mixer perfect for open-plan kitchens. The mixer has been tested and approved according to current building regulations and is energy-efficient, which means it reduces water and energy use without compromising on comfort.

### About the collection

INXX II is an elegant, timeless collection in a palette of carefully selected colours. Offering a combination of high quality, sober design and outstanding comfort, this is the ultimate collection.

Article number: 272081.44CA Flow 3 bar: 6.0 l/m

Description: Matte grey

- Nozzle with two spray patterns (normal and rinse)
- Ceramic cartridge
- Adjustable flow control and temperature limiter
- Eco (energy and water saving constant flow aerator, 6 l/min at 200–600 kPa)
- Swivel spout, limitation part for 60°, 85°, 110° or 360° included
- Soft PEX® hoses with 3/8" connecting nut (stainless steel braided)
- Approved non-return valves, EN-Standard EN1717
- Hole diameter Ø34-37 mm

PRODUCT DESCRIPTION

# MORA INXX II miniprofi kitchen mixer

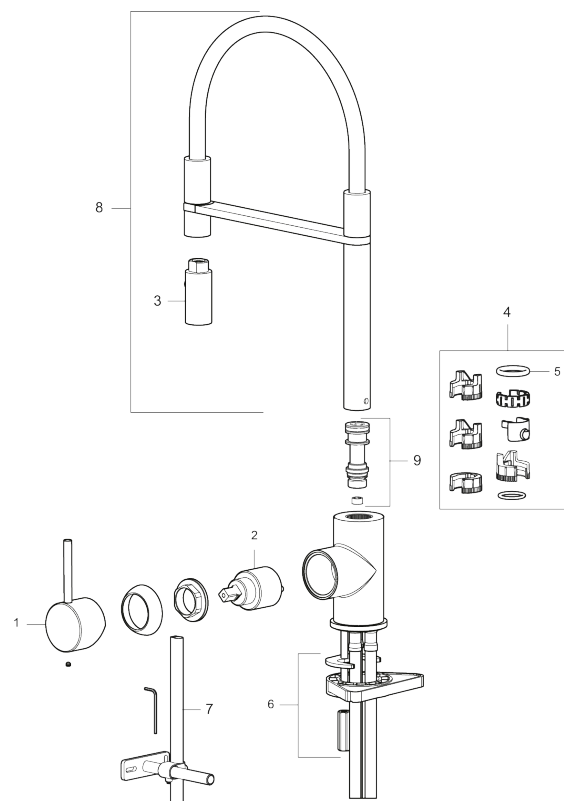
With its durable matt grey finish and contemporary look, the INXX II miniprofi is a strikingly tall mixer perfect for open-plan kitchens. The mixer has been tested and approved according to current building regulations and is energy-efficient, which means it reduces water and energy use without compromising on comfort.

## About the collection

INXX II is an elegant, timeless collection in a palette of carefully selected colours. Offering a combination of high quality, sober design and outstanding comfort, this is the ultimate collection.

**Article number:**

272081.44CA



## Sparepartlist

| NO. | ART NO.     | RSK     | DESCRIPTION                         |
|-----|-------------|---------|-------------------------------------|
| 1   | 409700.AE   | 8394069 | Lever, complete, chrome             |
| 1   | 409700.12AE | 8394070 | Lever, complete, matte black        |
| 1   | 409700.22AE | 8394071 | Lever, complete, matte white        |
| 1   | 409700.44AE | 8394072 | Lever, complete, matte grey         |
| 1   | 409700.60AE | 8394073 | Lever, complete, polished brass PVD |

| NO. | ART NO.     | RSK     | DESCRIPTION                        |
|-----|-------------|---------|------------------------------------|
| 1   | 409700.62AE | 8394074 | Lever, complete, brushed brass PVD |
| 1   | 409700.76AE | 8394075 | Lever, complete, brushed nickel    |
| 2   | 409702.AE   | 8437059 | Ceramic cartridge                  |
| 3   | S600057     | 8387150 | Nozzle, chrome                     |
| 3   | S600057.12  | 8387151 | Nozzle, matte black                |
| 3   | S600057.22  | 8387152 | Nozzle, matte white                |
| 3   | S600057.44  | 8387153 | Nozzle, matte grey                 |
| 3   | S600057.60  | 8387154 | Nozzle, polished PVD               |
| 3   | S600057.62  | 8387155 | Nozzle, brushed PVD                |
| 3   | S600057.76  | 8387156 | Nozzle, brushed nickel             |
| 4   | 209565.AE   |         | Limitation segment                 |
| 5   | 708843.AE   | 8295357 | O-ring (15,54 x 2,62), 2 pcs       |
| 6   | S600055     |         | Fastening details                  |
| 7   | 409340.AE   | 8531598 | Stabilization kit                  |
| 8   | 409714.12AE | 8441042 | Spout, complete, matte black       |
| 8   | 409714.22AE | 8441043 | Spout, complete, matte white       |
| 8   | 409714.44AE | 8441044 | Spout, complete, matte grey        |
| 9   | S600231     |         | Spout nipple, complete             |