



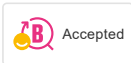
MORA MMIX K5 kitchen mixer

Mora MMIX combines elegance and ergonomic design with energy-efficiency. Soft geometric curves and a timeless style characterise the entire Mora MMIX range. The mixers were developed according to our unique EcoSafe™ concept focusing on low energy consumption and long-term environmental care.

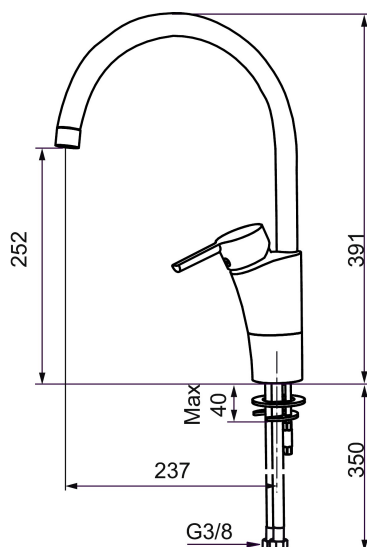
Article number: 732101 Flow 3 bar: 7.3 l/m

Description: Chrome

Unique characteristics



Backflow protection unit type



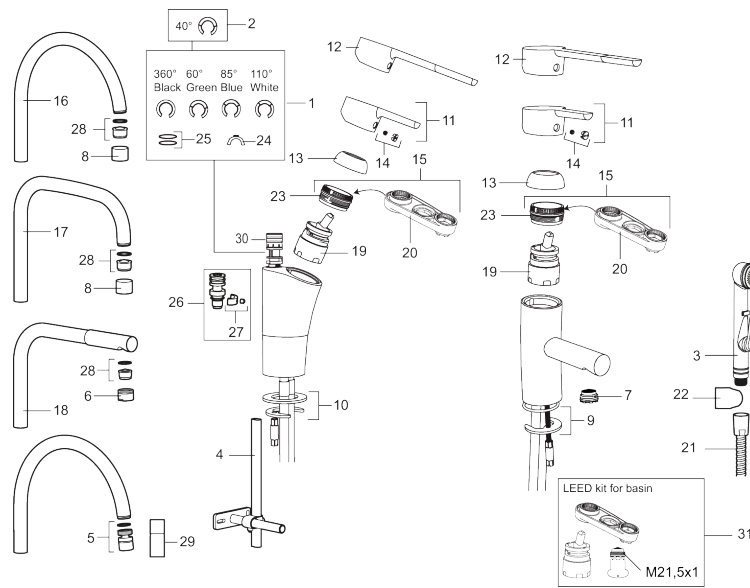
- ESS (energy saving system)
- Ceramic cartridge with soft closing function
- Adjustable flow control and temperature limiter
- Eco (energy and water saving aerator)
- Soft PEX® hoses with 3/8" connecting nut (stainless steel braided)
- Swivel spout, limitation part for 60°, 85°, 110° or 360° included
- Approved by the Rheumatism Association in Sweden
- Lead Free material
- Hole diameter Ø32-37 mm

PRODUCT DESCRIPTION

MORA MMIX K5 kitchen mixer

Mora MMIX combines elegance and ergonomic design with energy-efficiency. Soft geometric curves and a timeless style characterise the entire Mora MMIX range. The mixers were developed according to our unique EcoSafe™ concept focusing on low energy consumption and long-term environmental care.

Article number: 732101



Sparepartlist

| NO. | ART NO. | RSK | DESCRIPTION |
|-----|-----------|---------|--|
| | 209560.AC | 8345784 | Rubber gasket for Soft-PEX® pipe 3/8, 10-pcs |
| 1 | 209524.AE | 8346915 | Limitation segment |
| 2 | 209543.AE | 8346916 | Limitation segment 40° |
| 3 | S600206 | 8233049 | Self-closing hand shower, chrome |
| 4 | 409340.AE | 8531598 | Stabilization kit |
| 5 | 409380.AE | 8281496 | Aerator M22 int., ball joint, 7–9 l/min at 300 kPa |
| 6 | 131415.AE | 8281512 | Housing M24 utv., 15 mm, chrome |
| 7 | 409382.AE | 8242282 | Aerator M21,5 ext., 7–9 l/min at 300 kPa |
| 7 | 409385.AE | 8242292 | Aerator M21,5 ext., 5 l/min at 200–600 kPa |
| 7 | S600228 | | Aerator M21,5 ext., 3 l/min at 200–600 kPa |
| 7 | 409429.AE | | 9-11 l/min, light blue |
| 8 | 131410.AE | 8281509 | Housing M22 int. |
| 9 | 409387.AE | 8346912 | Fastening details, basin |
| 10 | 409388.AE | 8346914 | Fastening details, kitchen |
| 11 | 409389.AE | 8344867 | Lever, complete |

| NO. | ART NO. | RSK | DESCRIPTION |
|-----|-----------|---------|--|
| 12 | 409390.AE | 8344874 | Care lever, complete, chrome |
| 13 | 409391.AE | 8344865 | Cover nut |
| 14 | 409392.AE | 8344866 | Colour marking and mounting screw for lever |
| 15 | 409393.AE | 8345179 | Lock nut for cartridge, incl service tool |
| 16 | 409395.AE | 8326732 | Spout K5, complete |
| 17 | 409396.AE | 8326733 | Spout K7, complete |
| 18 | 409397.AE | 8326734 | Spout K6, complete |
| 19 | 409403.AE | 8345132 | Ceramic cartridge, incl service tool |
| 19 | 409405.AE | 8345205 | Ceramic cartridge, Turbo, incl service tool |
| 19 | S600232 | | Cartridge, for basin mixer, LEED compliant |
| 20 | 891096.AE | 8345921 | Service tool |
| 21 | S600207 | 8236647 | Shower hose, L=1,5 m, chrome |
| 22 | 130732.AE | 8184186 | Wall bracket |
| 23 | 439060.AE | 8295361 | Lock nut |
| 24 | 309519.AE | 8295318 | Fixed plug, 2 pcs (black/grey) |
| 25 | 708843.AE | 8295357 | O-ring (15,54 x 2,62), 2 pcs |
| 26 | 109016.AE | 8295331 | Spout nipple, complete, for fixed spout |
| 27 | 139595.AE | 8295313 | Stop screw with limitation segment |
| 28 | 131394.AE | 8242225 | Aerator insert, 7–9 l/min at 300 kPa |
| 28 | 131400.AE | 8281495 | Aerator insert, 11–15 l/min at 300 kPa |
| 28 | 132408.AE | 8281439 | Aerator insert, 8 l/min at 200–600 kPa |
| 29 | 409343.AE | 8281537 | Aerator M22 int., ball joint, 7–9 l/min at 300 kPa |
| 30 | S600018 | 8394128 | Spout nipple, complete |
| 31 | 131407.AE | 8281482 | LEED kit for basin mixer, 3 l/min at 200-600 kPa |