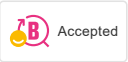

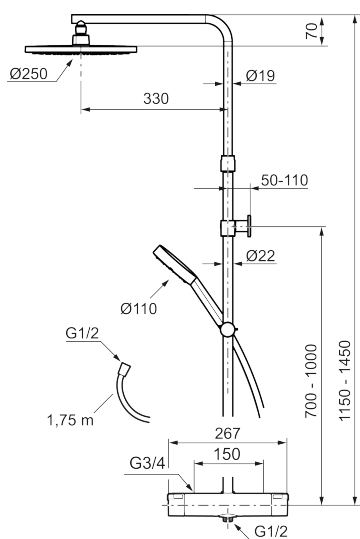




Unique characteristics



Backflow protection unit type 



MMIX II shower system kit

Our classic chrome MMIX shower system is revised with a bold new straight-lined form and increased proportions for superior functionality and aesthetics. Internally, it features an updated thermostat to maximise energy efficiency while enhancing your showering experience.

Article number: 331900.LD Flow 3 bar: 6.0 l/m

Description: Chrome, 150 c/c, LEED/BREEAM compliant

Consist of:

MORA MMIX II thermostatic mixer:

- Pressure balanced thermostatic mixer
- With reversible headwork
- Temperature handle with safety stop at 38°C
- With Eco-function
- Lead Free material
- Approved non-return valves, EN-Standard EN1717

MORA MMIX II Shower System:

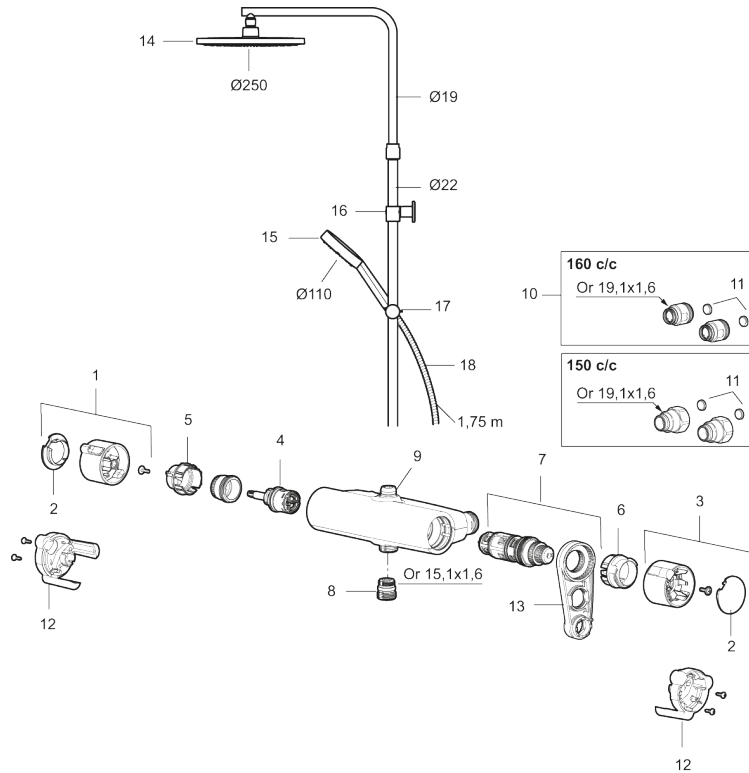
- Shower hose in metal, PVC- and BPA-free
- With Easy-Clean anti-limescale system
- Wall bracket freely adjustable in height, 700–1000 from connection and 50–100 mm from wall, 2x20 mm spacers included, with sealing, hidden pipe joint

PRODUCT DESCRIPTION

MMIX II shower system kit

Our classic chrome MMIX shower system is revised with a bold new straight-lined form and increased proportions for superior functionality and aesthetics. Internally, it features an updated thermostat to maximise energy efficiency while enhancing your showering experience.

Article number: 331900.LD



Sparepartlist

NO.	ART NO.	RSK	DESCRIPTION
1	S600191	8397017	On/off handle, complete, chrome
2	S600192	8397019	End cover, chrome, 2 pcs
3	S600190	8397018	Temperature handle, complete, chrome
4	S600020	8441462	Ceramic headwork, with service tool (shower mixer)
4	S600269	8387232	Ceramic headwork, without tool (shower mixer)
5	S600117	8439714	Stop ring, reversible
6	S600087	8439711	Scalding protection ring
7	S600084	8439709	Thermostatic cartridge, complete, incl. service tool
7	S600271	8397030	Thermostatic cartridge, complete, without service tool
8	S600088	8439712	Nipple M18x1-G1/2 for shower mixer
9	S600112	8920116	Nipple M18x1
9	S600265		Nipple M18x1, with flow regulator 9 l/min

NO.	ART NO.	RSK	DESCRIPTION
10	409361.AE	8228492	Inlet connector 160 c/c
11	409359.AA	8345172	Filter kit for connecting links, retail packed
12	S600193	8397020	Care-handle, black, 2 pcs
13	S600298	3870203	Service tool
14	S600196	8237572	Shower head, 250 mm
15	S600195	8233058	Hand shower
16	S600094	8221921	Wall bracket, chrome
17	S600246	8239619	Slider, chrome
18	S600109	8252036	Shower hose, chrome