



MORA CLASSIC shower mixer

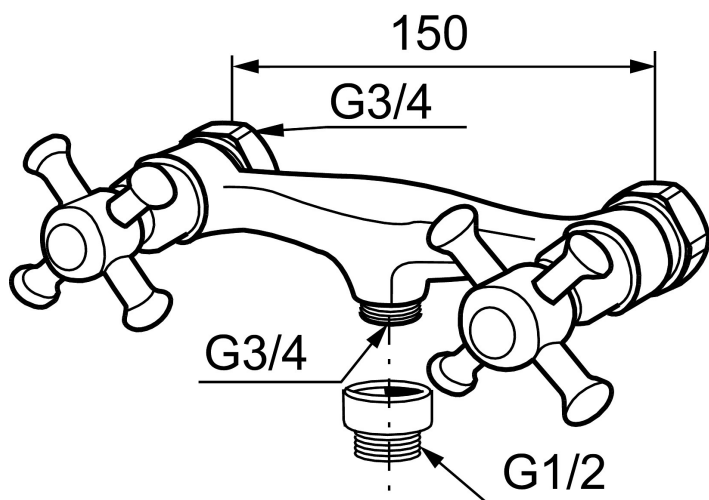
Mora Classic is an exclusive range of taps with solid, rounded lines that embrace the design ideals of the past. All the parts are made of metal with genuine Mora quality. Mora Classic bath mixers provide outstanding comfort and safety and add an exclusive touch to your whole bathroom interior. All the mixers have a ceramic seal as standard. This is modern technology fused with classic style at its best.

Article number: 700665.0065

Description: Chrome/gold

- For Mora Classic Family
- With shower connection down

Unique characteristics

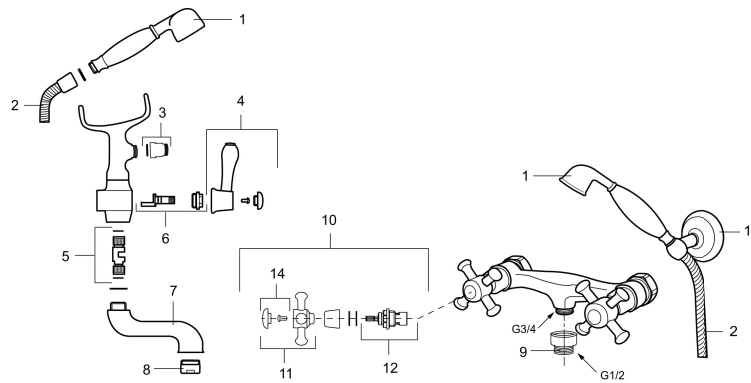


PRODUCT DESCRIPTION

MORA CLASSIC shower mixer

Mora Classic is an exclusive range of taps with solid, rounded lines that embrace the design ideals of the past. All the parts are made of metal with genuine Mora quality. Mora Classic bath mixers provide outstanding comfort and safety and add an exclusive touch to your whole bathroom interior. All the mixers have a ceramic seal as standard. This is modern technology fused with classic style at its best.

Article number: 700665.0065



Sparepartlist

NO.	ART NO.	RSK	DESCRIPTION
1	130802.AE	8198066	Handshower
2	S600310	8239707	Shower hose in metal, 1750 mm
3	S600075	5014214	Transition connector, G1/2 int. - G1/2 ext.
4	708141.AE		Lever for diverter
5	708143.AE		Piston for diverter
6	708142.AE		Diverter
7	708339		Bath spout
8	131328.AE	8281506	Aerator M28 ext., 24–26 l/min at 300 kPa
9	640000.AE	8187010	Transition nipple 1/2" ext - 3/4" int, with gasket
10	708147.AE		Headwork, complete with handle, for shower mixer
11	708137.AE		Handle, complete with screw and cover plate
12	719109.AE	8345169	Headwork 1/2", without handle
13	130804.AE	8198067	Holder for hand shower
14	708135.AE		Screw and cover plate (CW+HW), chrome
14	708135.65AE		Screw and cover plate (CW+HW), gold