



## MORA INXX II miniprofi kitchen mixer

With its durable, elegant brushed nickel finish and contemporary look, the INXX II miniprofi is a strikingly tall mixer perfect for open-plan kitchens. The mixer has been tested and approved according to current building regulations and is energy-efficient, which means it reduces water and energy use without compromising on comfort.

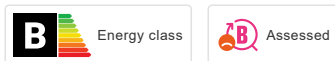
### About the collection

INXX II is an elegant, timeless collection in a palette of carefully selected colours. Offering a combination of high quality, sober design and outstanding comfort, this is the ultimate collection.

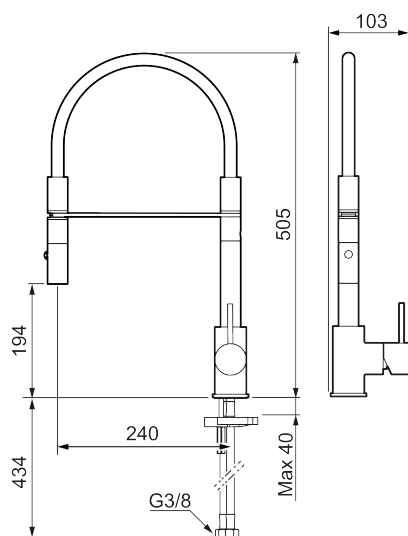
Article number: 272081.76CA Flow 3 bar: 6.0 l/m

Description: Brushed nickel

### Unique characteristics



Backflow protection unit type **EB**



- Nozzle with two spray patterns (normal and rinse)
- Ceramic cartridge
- Adjustable flow control and temperature limiter
- Swivel spout, limitation part for 60°, 85°, 110° or 360° included
- Soft PEX® hoses with 3/8" connecting nut (stainless steel braided)
- Approved non-return valves, EN-Standard EN1717
- Hole diameter Ø34-37 mm

PRODUCT DESCRIPTION

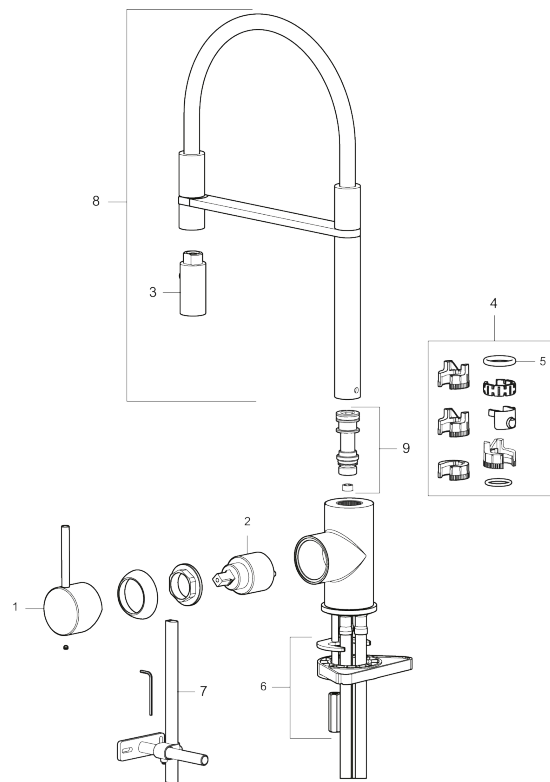
# MORA INXX II miniprofi kitchen mixer

With its durable, elegant brushed nickel finish and contemporary look, the INXX II miniprofi is a strikingly tall mixer perfect for open-plan kitchens. The mixer has been tested and approved according to current building regulations and is energy-efficient, which means it reduces water and energy use without compromising on comfort.

### About the collection

INXX II is an elegant, timeless collection in a palette of carefully selected colours. Offering a combination of high quality, sober design and outstanding comfort, this is the ultimate collection.

**Article number:** 272081.76CA



### Sparepartlist

NO.	ART NO.	RSK	DESCRIPTION
1	409700.AE	8394069	Lever, complete, chrome
1	409700.12AE	8394070	Lever, complete, matte black
1	409700.22AE	8394071	Lever, complete, matte white
1	409700.44AE	8394072	Lever, complete, matte grey
1	409700.60AE	8394073	Lever, complete, polished brass PVD
1	409700.62AE	8394074	Lever, complete, brushed brass PVD
1	409700.76AE	8394075	Lever, complete, brushed nickel

NO.	ART NO.	RSK	DESCRIPTION
2	409702.AE	8437059	Ceramic cartridge
3	S600057	8387150	Nozzle, chrome
3	S600057.12	8387151	Nozzle, matte black
3	S600057.22	8387152	Nozzle, matte white
3	S600057.44	8387153	Nozzle, matte grey
3	S600057.60	8387154	Nozzle, polished PVD
3	S600057.62	8387155	Nozzle, brushed PVD
3	S600057.76	8387156	Nozzle, brushed nickel
4	209565.AE		Limitation segment
5	708843.AE	8295357	O-ring (15,54 x 2,62), 2 pcs
6	S600055		Fastening details
7	S600308	8387263	Stabilizer kit
8	409714.AE	8441041	Spout, complete, chrome
8	409714.12AE	8441042	Spout, complete, matte black
8	409714.22AE	8441043	Spout, complete, matte white
8	409714.44AE	8441044	Spout, complete, matte grey
8	409714.60AE	8441045	Spout, complete, polished brass PVD
8	409714.62AE	8441046	Spout, complete, brushed brass PVD
8	409714.76AE	8441047	Spout, complete, brushed nickel
9	S600231		Spout nipple, complete