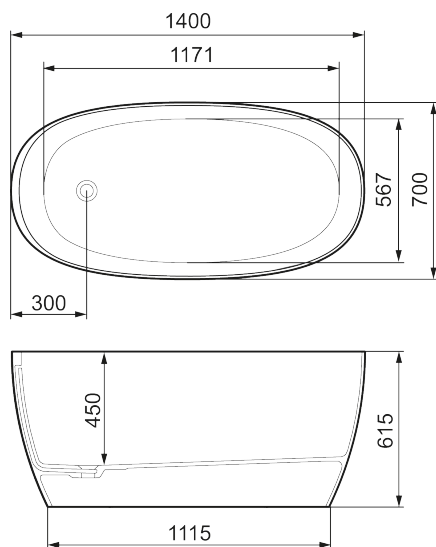




Unique characteristics



MORA LAVA III

Attractive modern proportions and form make for a centrepiece freestanding bath made from a unique mineral composite material. This particular design is only 140 cm long; making it perfect for those wanting contemporary looks in a smaller package.

A double-sided design allows bathing at either end, with a built-in overflow.

About the collection

With a name that evokes the flowing mineral-rich qualities of volcanic rock. Made from a tactile, durable mineral composite with thermal insulating qualities, the Lava range combines harmonious, modern aesthetics with comfort.

In any color you want



Article number: 951003

Description: White, L 1400 x W 700 x H 615

- Freestanding bathtub in mineral composite
- Single-sided model
- Pre-installed white bottom valve
- Volume: 265 l
- Weight: 95 kg