



MORA MMIX K2 kitchen mixer


Mora MMIX combines elegance and ergonomic design with energy-efficiency. Soft geometric curves and a timeless style characterise the entire Mora MMIX range. The mixers were developed according to our unique EcoSafe™ concept focusing on low energy consumption and long-term environmental care.

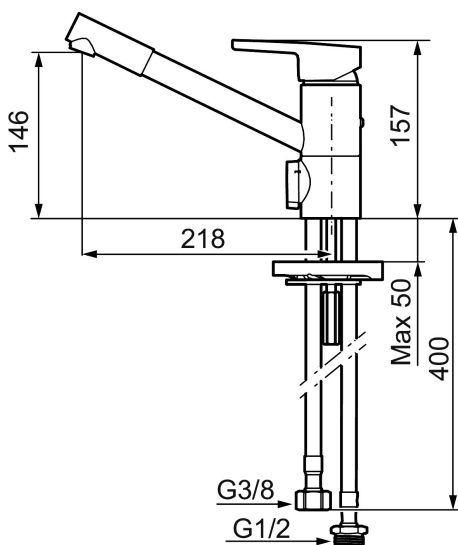
Article number: 732251 Flow 3 bar: 9.8 l/m

Description: Chrome

Unique characteristics



Backflow protection unit type 



- ESS (energy saving system)
- Ceramic cartridge with soft closing function
- Adjustable flow control and temperature limiter
- Eco (energy and water saving aerator)
- Soft PEX® hoses with 3/8" connecting nut (stainless steel braided)
- Swivel spout 110°
- With dishwasher valve, switchable between cold and hot water. Pre-set on cold water
- Lead Free material
- Hole diameter Ø34-37 mm

PRODUCT DESCRIPTION

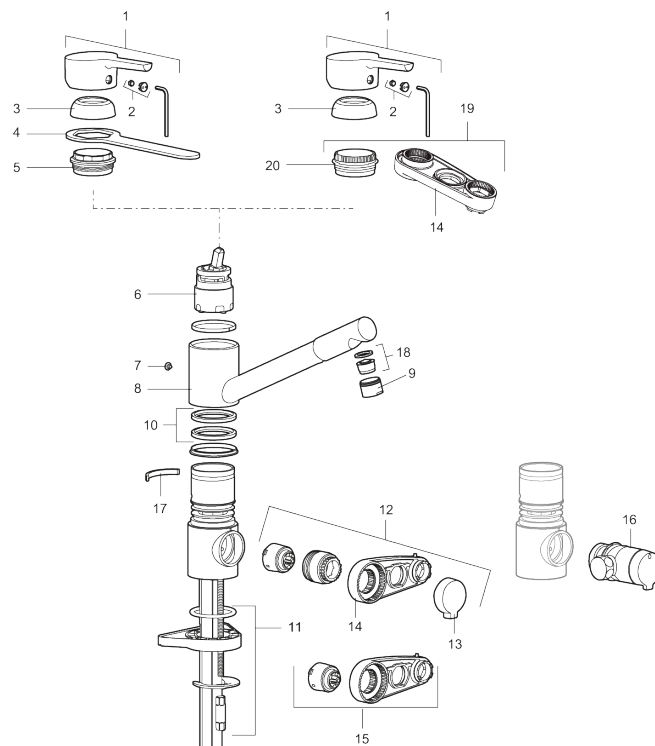
MORA MMIX K2 kitchen mixer

Mora MMIX combines elegance and ergonomic design with energy-efficiency. Soft geometric curves and a timeless style characterise the entire Mora MMIX range. The mixers were developed according to our unique EcoSafe™ concept focusing on low energy consumption and long-term environmental care.

Article number: 732251

Produced before 2018.01

Produced after 2018.01



Sparepartlist

| NO. | ART NO. | RSK | DESCRIPTION |
|-----|-----------|---------|--|
| 1 | 409389.AE | 8344867 | Lever, complete |
| 2 | 409392.AE | 8344866 | Colour marking and mounting screw for lever |
| 3 | 409391.AE | 8344865 | Cover nut |
| 4 | 891099.AE | 8592423 | Key |
| 5 | 409610.AE | 8241743 | Lock nut for cartridge |
| 6 | 409403.AE | 8345132 | Ceramic cartridge, incl service tool |
| 6 | 409405.AE | 8345205 | Ceramic cartridge, Turbo, incl service tool |
| 7 | 409611.AE | 8241744 | Stop screw |
| 8 | 409685 | 8242427 | Swivel spout, complete with jet concentrator |
| 9 | 131417.AE | 8281513 | Housing M24 ext., 17 mm |
| 10 | 409612.AE | 8241745 | Sealing rings (2 pcs) |

| NO. | ART NO. | RSK | DESCRIPTION |
|-----|-----------|---------|--|
| 11 | 409457.AE | | Fastening details for mixers without on/off valve |
| 11 | 409458.AE | | Fastening details for mixers with on/off valve |
| 12 | 409104.AE | 8322314 | Dishwasher isolator cartridge, incl. service tool |
| 13 | 409400.AE | 8345180 | Handle for dish washer connection |
| 14 | 891096.AE | 8345921 | Service tool |
| 15 | 209504.AE | 8346905 | Ceramic cartridge for dish washer connection CW/HW, incl. service tool |
| 16 | 409399.AE | 8347223 | Rebuild.kit for dish washer |
| 17 | 209558.AE | 8346933 | Limitation clamp for fixed spout and swivel 30-90° |
| 18 | 131398.AE | 8281493 | Aerator insert, 9–11 l/min at 300 kPa |
| 19 | 409393.AE | 8345179 | Lock nut for cartridge, incl service tool |
| 20 | 439060.AE | 8295361 | Lock nut |