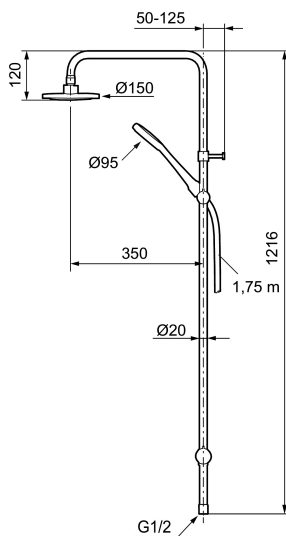




Unique characteristics



MORA CERA S5 shower system

A bathroom is a place for relaxation, pleasure and recharging your batteries. So fill it with enjoyment. Save energy effortlessly, protect against fluctuations in water temperature, take an extra long shower with a clear conscience. Mora Cera puts quality time in your bathroom in countless ways.

Article number: 130005

Description: Chrome

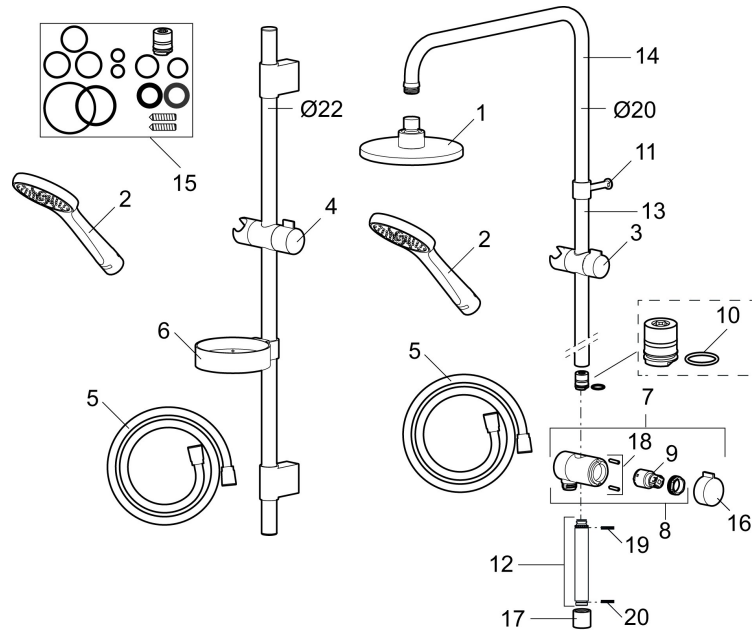
- Diverter with ceramic cartridge
- Shower hose in metal, PVC- and BPA-free
- With Easy-Clean anti-limescale system
- Shower bar can be shortened if required
- Diverter can be mounted with lever pointing in chosen direction
- Optional connection with/without air mixture
- Air mixture provides comfort flow at 6 l/min, max flow 10 l/min

PRODUCT DESCRIPTION

MORA CERA S5 shower system

A bathroom is a place for relaxation, pleasure and recharging your batteries. So fill it with enjoyment. Save energy effortlessly, protect against fluctuations in water temperature, take an extra long shower with a clear conscience. Mora Cera puts quality time in your bathroom in countless ways.

Article number: 130005



Sparepartlist

NO.	ART NO.	RSK	DESCRIPTION
	139912.AE	8221715	Distrance ring Ø18, Ø20 and Ø22 mm, for soap dish 409416
1	209555	8180723	Shower head, 150 mm
2	130370	8199240	Hand shower
3	409418.AE	8284740	Slider
4	130363.AE	8762730	Slider
5	S600310	8239707	Shower hose in metal, 1750 mm
6	409416	8185645	Soap dish
7	409422	8541659	Diverter, complete
8	409430.AE	8541683	Diverter
9	S600321	8239708	Cartridge for diverter
10	639173.AE	8295314	Gasket (2 pcs)
11	139906.AE	8180378	Clip for shower bar 20 mm
12	209549.AE	8180946	Connecting pipe
13	209548.AE	8180944	Lower bar

NO.	ART NO.	RSK	DESCRIPTION
14	209550.AE	8180947	Upper bar for S5
15	409425.AE	8346925	Spare bag for Mora Shower System
16	409443.AE	8295326	Handle for diverter
17	209291.AE	8295321	Transition nipple G1/2 - M18x1
18	139812.AE	8295323	Stop screw M5x20
19	309246.AE	8295312	O-ring (13,1 x 1,6)
20	609029.AE	8295315	O-ring (16,1 x 1,6)