



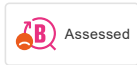
## MORA CERA duo miniprofi kitchen mixer


Mora CeraDuo miniprofi brings the benefits from a professional restaurant kitchen to your private home. The sensor function makes the mixer more hygienic as well as watersaving and environmentalfriendly. A convenient cleaning mode, and a removable nozzle with two spray-modes are included. Mora Cera Duo miniprofi makes your life in the kitchen easier, more environmentalfriendly and best of all- more good looking.

Article number: 242480 Flow 3 bar: 9.1 l/m

Description: Chrome, battery operation, included battery

### Uniqe characteristics



Backflow protection unit type 

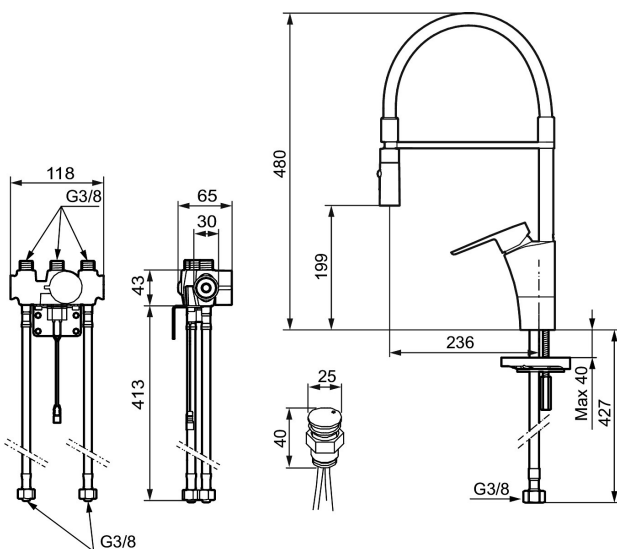
- ESS (energy saving system)
- Ceramic cartridge with soft closing function
- Adjustable flow control and temperature limiter
- Swivel spout, limitation part for 60°, 85°, 110° or 360° included
- Nozzle with concentrated jet and hand shower
- Flush Timeout - safety shut-off to prevent flooding
- Can be turned off for 5 min. (eg for cleaning)
- Low power consumption - Long life
- IP class sensor, IP67
- Approved non-return valves, EN-Standard EN1717

### Installation:

- Automatic sensor calibration
- All models can be adapted for either battery 6V or mains operation 12V AC/DC
- For mains operation requires installation of the adapter kit art.no. S600147
- Soft PEX® hoses with 3/8" connecting nut (stainless steel braided)
- Hole diameter Ø34-37 mm

### Settings:

- Programmable detection distance



- Adjustable flush time

Electronic dishwasher cut-off valve:

- The touch button is mounted in the sink plate or countertop, panel thickness 0–40 mm
- Colour indicator for mode selection
- Automatic shut-off after 3 or 12 hours
- Supplied with battery, 9V
- Connection G1/2