



MMIX II basin mixer

MMIX II unifies its ergonomic design with top-tier energy efficiency in a stylish chrome piece that blends quality and looks. This year, we've updated its design language with straighter lines and boosted its energy-saving attributes.

Article number: 333001 Flow 3 bar: 4.5 l/m

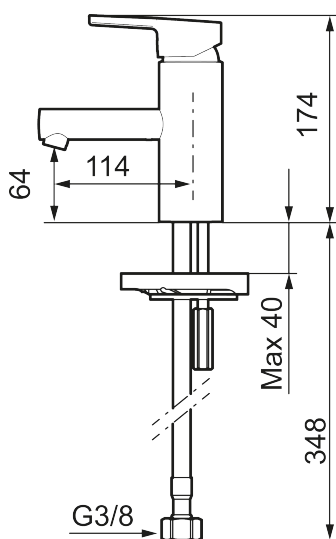
Description: Chrome

- ESS (energy saving system)
- Ceramic cartridge with soft closing function
- Adjustable flow control and temperature limiter
- Soft PEX[®] hoses with 3/8" connecting nut (stainless steel braided)
- Lead Free material
- Hole diameter Ø34-37 mm

Unique characteristics



Backflow protection unit type **AA**

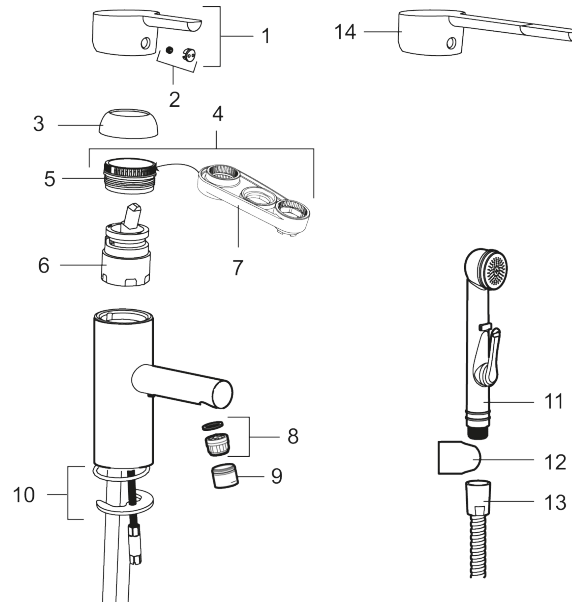


PRODUCT DESCRIPTION

MMIX II basin mixer

MMIX II unifies its ergonomic design with top-tier energy efficiency in a stylish chrome piece that blends quality and looks. This year, we've updated its design language with straighter lines and boosted its energy-saving attributes.

Article number: 333001



	STD	LD3*
6. Cartridge	S600253	S600232
8. Insert	S600254	S600254

* LEED mixers with low flow

Sparepartlist

NO.	ART NO.	RSK	DESCRIPTION
1	409389.AE	8344867	Lever, complete
2	409392.AE	8344866	Colour marking and mounting screw for lever
3	409391.AE	8344865	Cover nut
4	409393.AE	8345179	Lock nut for cartridge, incl service tool
5	439060.AE	8295361	Lock nut
6	S600253	8387149	Ceramic cartridge with service tool
6	S600232		Cartridge, Low flow, for LEED mixers
7	891096.AE	8345921	Service tool
8	S600254	8280032	Aerator insert, 5 l/min at 200–600 kPa
9	S600255	8280033	Housing M20 ext., 16 mm, chrome
10	S600160	8387096	Fastening kit, for basin mixer
11	S600206	8233049	Self-closing hand shower, chrome

NO.	ART NO.	RSK	DESCRIPTION
12	S600157	8239542	Wall bracket, chrome
13	S600207	8236647	Shower hose, L=1,5 m, chrome
14	409390.AE	8344874	Care lever, complete, chrome