



## MORA CERA shower mixer

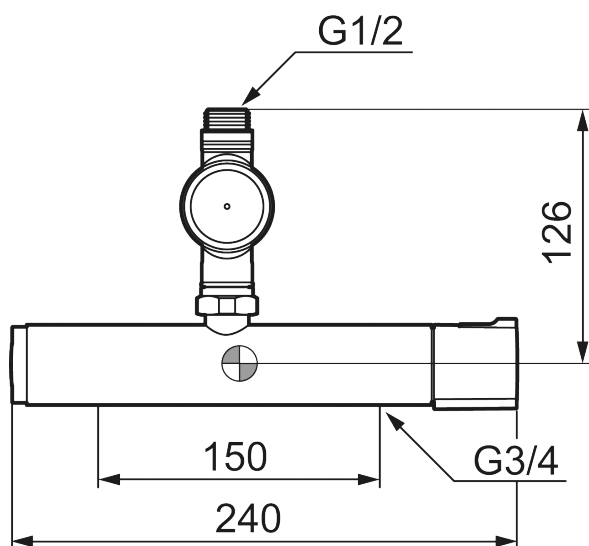
Article number: 242354

Description: Chrome, with self-closing valve

- 1/2" connection up
- Temperature handle with safety stop at 38°C and 42°C
- Flushing time: approx 30 sec.
- Approved non-return valves, EN-Standard EN1717

Unique characteristics

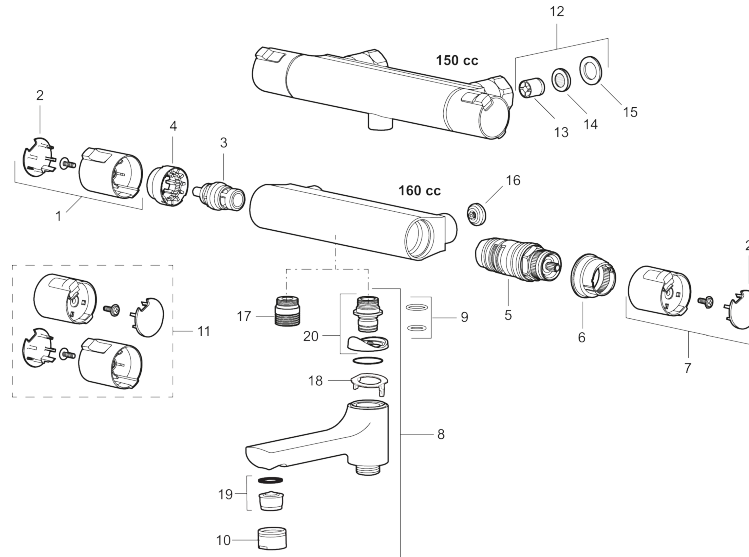
Backflow protection unit type



PRODUCT DESCRIPTION

# MORA CERA shower mixer

Article number: 242354



## Sparepartlist

NO.	ART NO.	RSK	DESCRIPTION
1	409653.AA	8345188	On/off handle, complete, chrome, retail packed
2	409658.AA	8345190	End cover, chrome, retail packed
3	409354.AA	8345137	Ceramic headwork, retail packed
4	708079.AE		Eco, Stop ring, on/off
5	708764.AE	8345114	Thermostatic cartridge
6	209556.AE	8345184	Stop ring, temperature
7	409654.AA	8345189	Temperature handle, complete, chrome, retail packed
8	409656	8344876	Swivel spout, for conversion of shower mixer to bath/shower mixer, chrome
9	209519.AE	8938340	O-ring, for swivel spout
10	131415.AE	8281512	Housing M24 utv., 15 mm, chrome
11	409650.AA	8345187	On/off- and temperature handle, complete, chrome, retail packed
12	708338.AE		Non-return valve (2 pcs)
13	139465.AE	8186872	Non-return valve, with lock ring
14	708080.AE		Holder for filter, complete
15	709339.AE	8938274	Gasket 24/15x2, 2 pcs
16	129380.AE	8345651	Non-return valve (2 pcs)
17	409659.AE	8187025	Shower connector M18x1xG1/2
18	129154.AE	8295332	Stop ring

NO.	ART NO.	RSK	DESCRIPTION
19	139783.AE	8281546	Aerator inlet, 20–24 l/min at 300 kPa
20	209494.AE	8314141	Spout nipple incl cover ring