



MORA INXX II shower kit

Article number: 271600.12LD6 **Flow 3 bar:** 6.0 l/m

Description: Matte black, LEED/BREEAM compliant

Consist of:

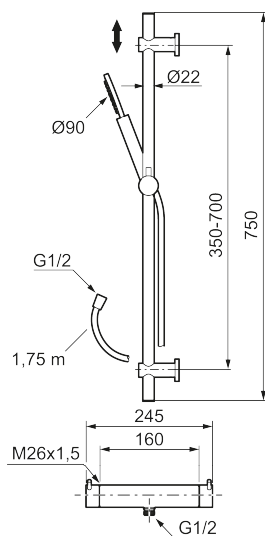
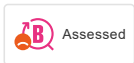
MORA INXX II shower mixer:

- Pressure balanced thermostatic mixer
- Temperature handle with safety stop at 38°C
- With Eco-function
- Approved non-return valves, EN-Standard EN1717

MORA INXX II shower:

- Shower hose in metal, PVC- and BPA-free
- With adjustable wall brackets for usage of existing screw holes
- With Easy-Clean anti-limescale system
- Constant flow 6 l/min at 200–600 kPa

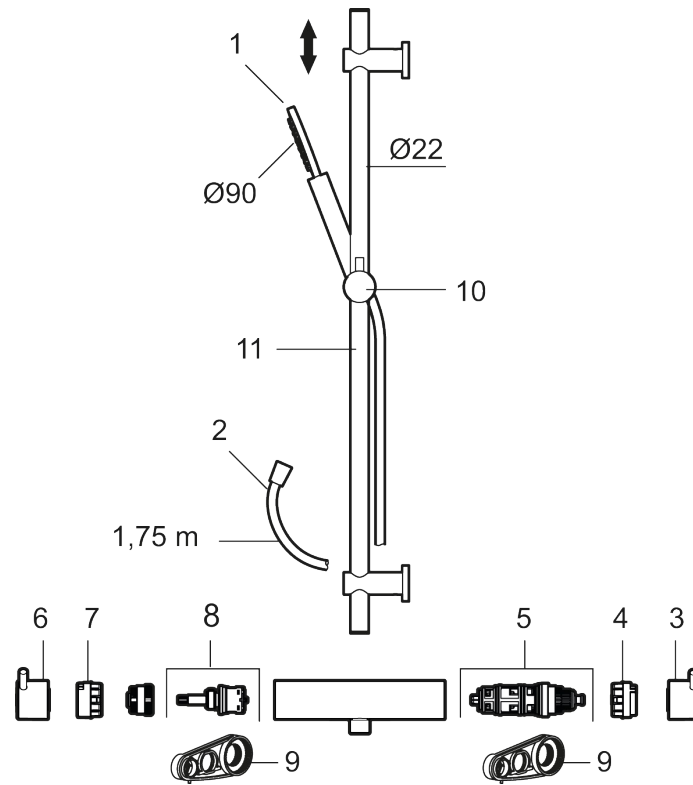
Unique characteristics



PRODUCT DESCRIPTION

MORA INXX II shower kit

Article number:
271600.12LD6



Sparepartlist

NO.	ART NO.	RSK	DESCRIPTION
1	209575	8275496	Hand shower, chrome
1	209575.12	8275497	Hand shower, matte black
1	209575.22	8275498	Hand shower, matte white
1	209575.44	8275499	Hand shower, matte grey
1	209575.60	8275500	Hand shower, polished brass PVD
1	209575.62	8275501	Hand shower, brused brass PVD
2	131170.AE	8251927	Shower hose in metal, 1750 mm, chrome
2	131170.12AE	8251999	Shower hose in metal, 1750 mm, matte black
2	131170.22AE	8252000	Shower hose in metal, 1750 mm, matte white
2	131170.44AE	8252001	Shower hose in metal, 1750 mm, matte grey
2	131170.60AE	8252002	Shower hose in metal, 1750 mm, polished brass PVD
2	131170.62AE	8252003	Shower hose in metal, 1750 mm, brused brass PVD
3	409710.AE	8218902	Temperature handle, chrome
3	409710.12AE	8218903	Temperature handle, matte black
3	409710.22AE	8218904	Temperature handle, matte white

NO.	ART NO.	RSK	DESCRIPTION
3	409710.44AE	8218905	Temperature handle, matte grey
3	409710.60AE	8218906	Temperature handle, polished brass PVD
3	409710.62AE	8218907	Temperature handle, brushed brass PVD
4	S600023	8439703	Stop ring
5	S600019	8439702	Thermostatic cartridge, complete, with service tool
6	409711.AE	8218901	Temperature handle, chrome
6	409711.12AE	8218908	Temperature handle, matte black
6	409711.22AE	8218909	Temperature handle, matte white
6	409711.44AE	8218910	Temperature handle, matte grey
6	409711.60AE	8218911	Temperature handle, polished brass PVD
6	409711.62AE	8218912	Temperature handle, brushed brass PVD
7	S600024	8439705	Stop ring, reversible
8	S600020	8441462	Ceramic headwork, with service tool (shower mixer)
8	S600269	8387232	Ceramic headwork, without tool (shower mixer)
9	891096.AE	8345921	Service tool
10	S600186	8239630	Slider, chrome
10	S600186.12	8239631	Slider, matte black
10	S600186.60	8239632	Slider, polished brass PVD
10	S600186.62	8239633	Slider, brushed brass PVD
11	S600165	8284772	Shower bar, complete with wall brackets and glider, chrome
11	S600165.12	8284773	Shower bar, complete with wall brackets and glider, matte black
11	S600165.22	8284774	Shower bar, complete with wall brackets and glider, matte white
11	S600165.44	8284775	Shower bar, complete with wall brackets and glider, matte grey
11	S600165.60	8284776	Shower bar, complete with wall brackets and glider, polished brass
11	S600165.62	8284777	Shower bar, complete with wall brackets and glider, brushed brass