



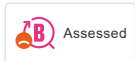
MORA INXX II soft, small basin mixer

Article number: 273001.12LD3 **Flow 3 bar:** 3.0 l/m

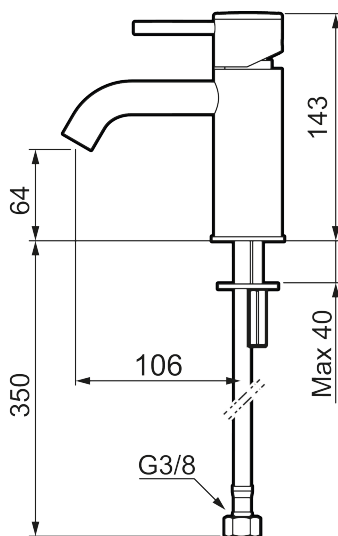
Description: Matte black, LEED/BREEAM compliant

- Ceramic cartridge
- Adjustable flow control and temperature limiter
- Soft PEX[®] hoses with 3/8" connecting nut (stainless steel braided)
- Swivel spout, limitation part for 60°, 85°, 110° or 360° included
- Hole diameter Ø34-37 mm

Unique characteristics



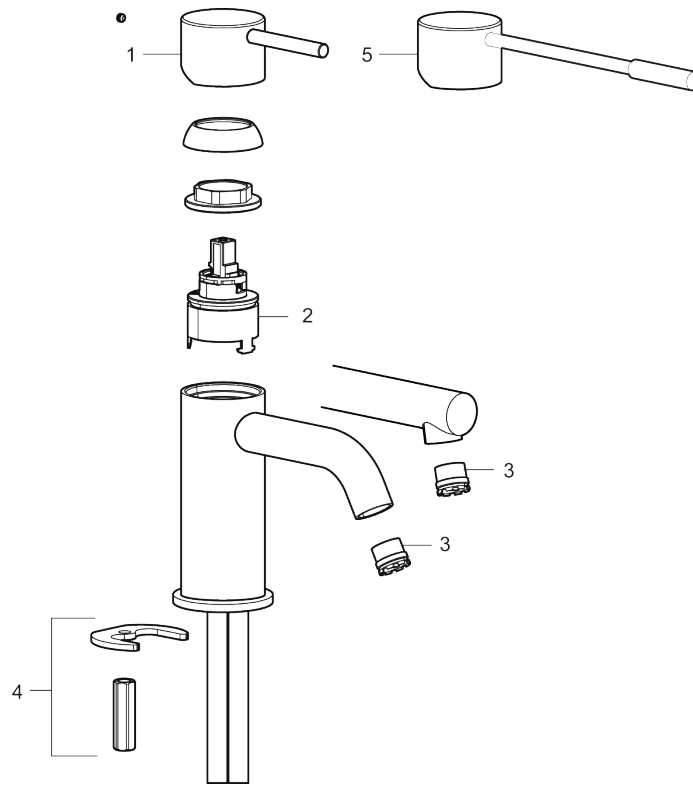
Backflow protection unit type 



PRODUCT DESCRIPTION

MORA INXX II soft, small basin mixer

Article number:
273001.12LD3



Sparepartlist

| NO. | ART NO. | RSK | DESCRIPTION |
|-----|-------------|---------|--|
| 1 | 409701.AE | 8394076 | Lever, complete, chrome |
| 1 | 409701.12AE | 8394077 | Lever, complete, matte black |
| 1 | 409701.22AE | 8394078 | Lever, complete, matte white |
| 1 | 409701.44AE | 8394079 | Lever, complete, matte grey |
| 1 | 409701.60AE | 8394080 | Lever, complete, polished brass PVD |
| 1 | 409701.62AE | 8394081 | Lever, complete, brushed brass PVD |
| 2 | 409703.AE | 8437060 | Ceramic cartridge |
| 3 | 409706.AE | 8281571 | Aerator M16,5 ext., 5 l/min at 200–600 kPa |
| 4 | 209518.AE | 8346911 | Fastening details |
| 5 | 409708.AE | 8394122 | Care-handle, chrome |
| 5 | 409708.12AE | 8394123 | Care-handle, matte black |
| 5 | 409708.22AE | 8394124 | Care-handle, matte white |
| 5 | 409708.44AE | 8394125 | Care-handle, matte grey |
| 5 | 409708.60AE | 8394126 | Care-handle, polished brass PVD |

| NO. | ART NO. | RSK | DESCRIPTION |
|-----|-------------|---------|--------------------------------|
| 5 | 409708.62AE | 8394127 | Care-handle, brushed brass PVD |