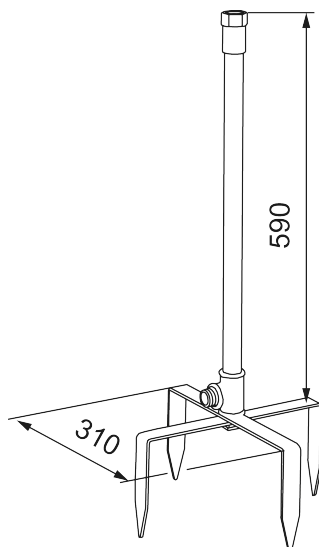




#### Unique characteristics



## Stand for outdoor shower

**Article number:** 400027

**Description:** Steel grey

- Accessories that make the wall-mounted outdoor shower a free-standing model
- Lower part of sturdy spikes that easily push into the ground. This allows you to move the shower around in your garden – or bring it along to your summer house