




MORA ONE miniprofi kitchen mixer

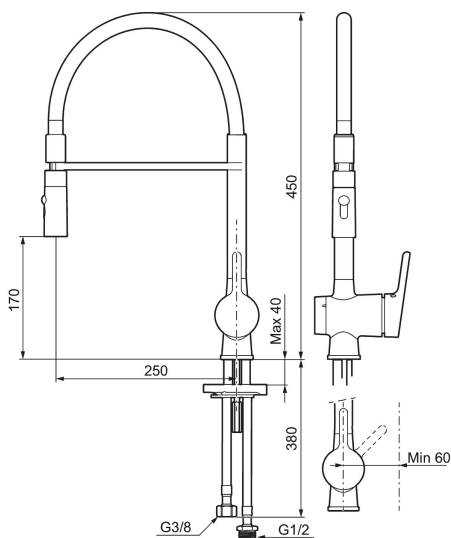
Mora One is an elegant and strict series of mixers expressing usability, beauty and durability. Mora One is inspired by the 90-year old history of Mora Armatur, but is designed for a modern home. An inspiration to Thomas Sandell, architect and designer, when developing the Mora One was the classical outdoor water pump. Mora One has the same conical body and sharp transitions to the flat surfaces as an old water pump. Mora One has an advanced and reliable technique. The mixers are contributing to a more sustainable environment by saving as much water and energy as possible without compromising on comfort.

Article number: 262091.0011 Flow 3 bar: 8.0 l/m

Description: Chrome, black hose

Unique characteristics

Backflow protection unit type 



- Nozzle with two spray patterns (normal and rinse)
- Ceramic cartridge with soft closing function
- Adjustable flow control and temperature limiter
- Eco (energy and water saving aerator)
- Swivel spout, limitation part for 60°, 85°, 110° or 360° included
- Soft PEX[®] hoses with 3/8" connecting nut (stainless steel braided)
- With dishwasher valve, switchable between cold and hot water. Pre-set on cold water
- Approved non-return valves, EN-Standard EN1717
- Hole diameter Ø34-37 mm