



## MORA MMIX B5 basin mixer

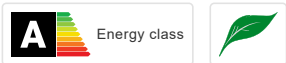
Mora MMIX combines elegance and ergonomic design with energy-efficiency. Soft geometric curves and a timeless style characterise the entire Mora MMIX range. The mixers were developed according to our unique EcoSafe™ concept focusing on low energy consumption and long-term environmental care.


Article number: 733051.TT Flow 3 bar: 4.7 l/m

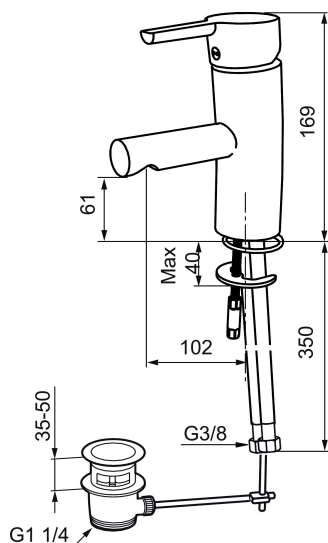
Description: Chrome, with Turbo-Jet function

- With pop-up waste
- ESS (energy saving system)
- Ceramic cartridge with soft closing function
- Adjustable flow control and temperature limiter
- Soft PEX® hoses with 3/8" connecting nut (stainless steel braided)
- Approved by the Rheumatism Association in Sweden
- Lead Free material
- Hole diameter Ø33,5-37 mm

### Unique characteristics



Backflow protection unit type 

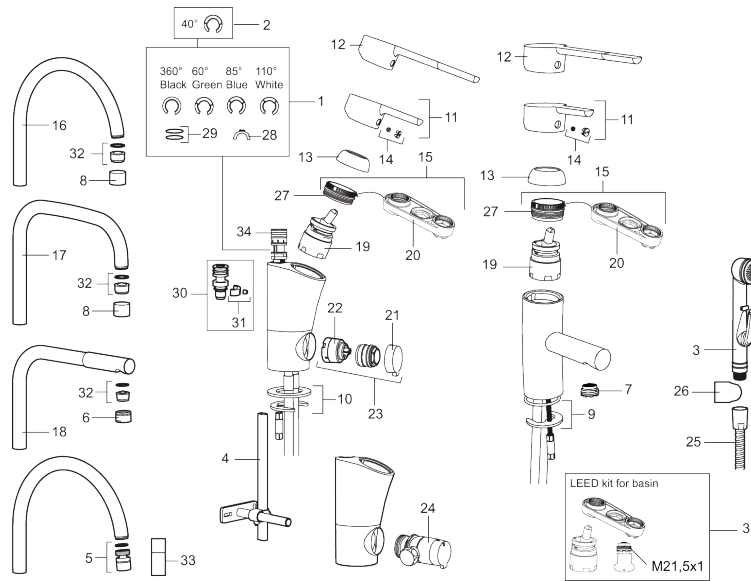


PRODUCT DESCRIPTION

# MORA MMIX B5 basin mixer

Mora MMIX combines elegance and ergonomic design with energy-efficiency. Soft geometric curves and a timeless style characterise the entire Mora MMIX range. The mixers were developed according to our unique EcoSafe™ concept focusing on low energy consumption and long-term environmental care.

Article number: 733051.TT



## Sparepartlist

| NO. | ART NO.   | RSK     | DESCRIPTION  |
|-----|-----------|---------|--|
| 1   | 209524.AE | 8346915 | Limitation segment                                 |
| 2   | 209543.AE | 8346916 | Limitation segment 40°                             |
| 3   | S600206   | 8233049 | Self-closing hand shower, chrome                   |
| 4   | 409340.AE | 8531598 | Stabilization kit                                  |
| 5   | 409380.AE | 8281496 | Aerator M22 int., ball joint, 7–9 l/min at 300 kPa |
| 6   | 131415.AE | 8281512 | Housing M24 utv., 15 mm, chrome                    |
| 7   | 409382.AE | 8242282 | Aerator M21,5 ext., 7–9 l/min at 300 kPa           |
| 7   | 409385.AE | 8242292 | Aerator M21,5 ext., 5 l/min at 200–600 kPa         |
| 7   | S600228   |         | Aerator M21,5 ext., 3 l/min at 200–600 kPa         |
| 8   | 131410.AE | 8281509 | Housing M22 int.                                   |
| 9   | 409387.AE | 8346912 | Fastening details, basin                           |
| 10  | 409388.AE | 8346914 | Fastening details, kitchen                         |
| 11  | 409389.AE | 8344867 | Lever, complete                                    |
| 12  | 409390.AE | 8344874 | Care lever, complete, chrome                       |
| 13  | 409391.AE | 8344865 | Cover nut  |

| NO. | ART NO.   | RSK     | DESCRIPTION  |
|-----|-----------|---------|--|
| 14  | 409392.AE | 8344866 | Colour marking and mounting screw for lever                            |
| 15  | 409393.AE | 8345179 | Lock nut for cartridge, incl service tool                              |
| 16  | 409395.AE | 8326732 | Spout K5, complete   |
| 17  | 409396.AE | 8326733 | Spout K7, complete   |
| 18  | 409397.AE | 8326734 | Spout K6, complete   |
| 19  | 409403.AE | 8345132 | Ceramic cartridge, incl service tool                                   |
| 19  | 409405.AE | 8345205 | Ceramic cartridge, Turbo, incl service tool                            |
| 19  | S600232   |         | Cartridge, for basin mixer, LEED compliant                             |
| 20  | 891096.AE | 8345921 | Service tool   |
| 21  | 409400.AE | 8345180 | Handle for dish washer connection                                      |
| 22  | 209504.AE | 8346905 | Ceramic cartridge for dish washer connection CW/HW, incl. service tool |
| 23  | 409104.AE | 8322314 | Dishwasher isolator cartridge, incl. service tool                      |
| 24  | 409399.AE | 8347223 | Rebuild.kit for dish washer  |
| 25  | S600207   | 8236647 | Shower hose, L=1,5 m, chrome   |
| 26  | 130732.AE | 8184186 | Wall bracket   |
| 27  | 439060.AE | 8295361 | Lock nut   |
| 28  | 309519.AE | 8295318 | Fixed plug, 2 pcs (black/grey)   |
| 29  | 708843.AE | 8295357 | O-ring (15,54 x 2,62), 2 pcs   |
| 30  | 109016.AE | 8295331 | Spout nipple, complete, for fixed spout                                |
| 31  | 139595.AE | 8295313 | Stop screw with limitation segment                                     |
| 32  | 131394.AE | 8242225 | Aerator insert, 7–9 l/min at 300 kPa                                   |
| 32  | 131400.AE | 8281495 | Aerator insert, 11–15 l/min at 300 kPa                                 |
| 32  | 132408.AE | 8281439 | Aerator insert, 8 l/min at 200–600 kPa                                 |
| 33  | 409343.AE | 8281537 | Aerator M22 int., ball joint, 7–9 l/min at 300 kPa                     |
| 34  | S600018   | 8394128 | Spout nipple, complete   |
| 35  | 131407.AE | 8281482 | LEED kit for basin mixer, 3 l/min at 200-600 kPa                       |