



MORA MMIX T5 safe shower mixer

Article number: 731100.SA

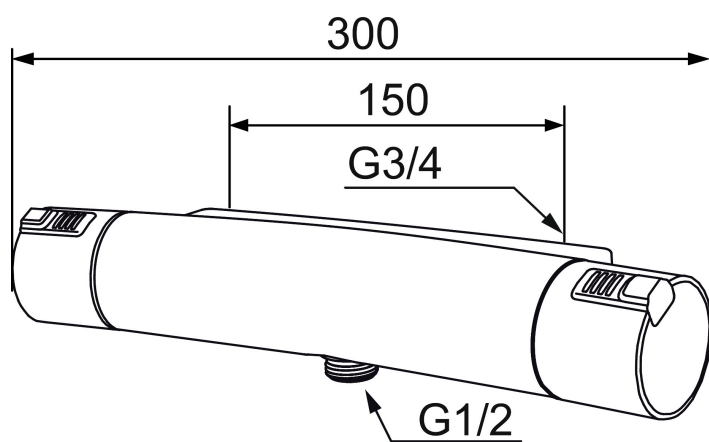
Description: Chrome

- With shower connection down
- Pressure balanced thermostatic mixer
- Temperature handle with safety stop at 38°C, maximum temperature at 43°C
- With Eco-function
- Lead Free material
- Equipped with function for thermal disinfection against legionella
- Approved non-return valves, EN-Standard EN1717

Unique characteristics



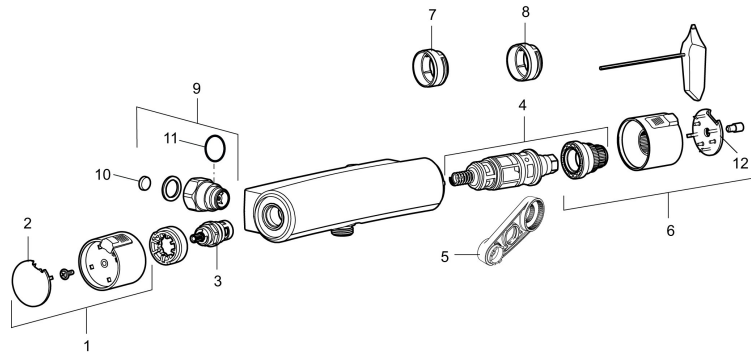
Backflow protection unit type



PRODUCT DESCRIPTION

MORA MMIX T5 safe shower mixer

Article number: 731100.SA



Sparepartlist

| NO. | ART NO. | RSK | DESCRIPTION |
|-----|-----------|---------|--|
| 1 | 409353.AA | 8345088 | On/off handle, complete, chrome, retail packed |
| 2 | 409358.AA | 8345089 | End cover, chrome, retail packed |
| 3 | S600274 | 8397028 | Ceramic headwork (G15) |
| 4 | 409419.AE | 8938271 | Thermostatic cartridge, complete, with service tool |
| 5 | 891096.AE | 8345921 | Service tool |
| 6 | 409420.AE | 8185711 | Repair kit, equipped with system for thermal disinfection against legionella |
| 7 | 409364.AE | 8346506 | Scalding protection ring, (max 42 °C) |
| 8 | 409363.AE | 8346505 | Scalding protection ring, (standard) |
| 9 | 409360.AA | 8187781 | Inlet connector 150 c/c (left-handed thread), retail packed |
| 10 | 409359.AA | 8345172 | Filter kit for connecting links, retail packed |
| 11 | 129131.AE | 8295316 | O-ring (18,1 x 1,6), 2 pcs |
| 12 | 409456.AE | | End cover, chrome, equipped with system for thermal disinfection against legionella, 5 pcs |