



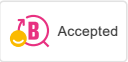
## MMIX II wash trough mixer

Article number: 333092 Flow 3 bar: 4.5 l/m

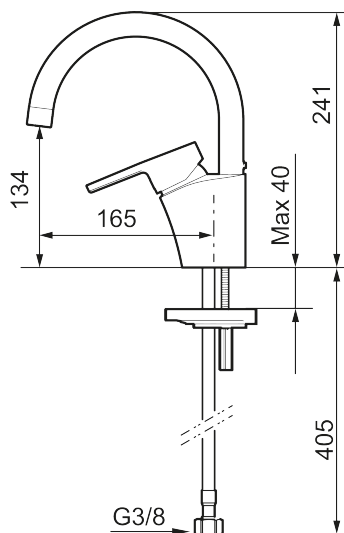
Description: Chrome

- ESS (energy saving system)
- Ceramic cartridge with soft closing function
- Adjustable flow control and temperature limiter
- Eco (energy and water saving aerator)
- Fixed spout, or 360°
- Soft PEX® hoses with 3/8" connecting nut (stainless steel braided)
- Lead Free material
- Hole diameter Ø34-37 mm

### Unique characteristics



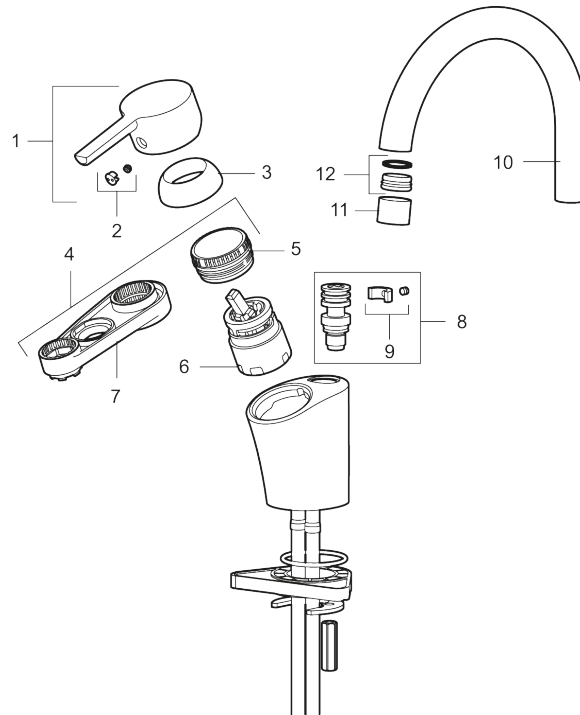
Backflow protection unit type **AA**



PRODUCT DESCRIPTION

MMIX II wash trough mixer

Article number: 333092



Sparepartlist

NO.	ART NO.	RSK	DESCRIPTION
1	409389.AE	8344867	Lever, complete
2	409392.AE	8344866	Colour marking and mounting screw for lever
3	409391.AE	8344865	Cover nut
4	409393.AE	8345179	Lock nut for cartridge, incl service tool
5	439060.AE	8295361	Lock nut
6	S600253	8387149	Ceramic cartridge with service tool
7	S600298	3870203	Service tool
8	109016.AE	8295331	Spout nipple, complete, for fixed spout
9	139595.AE	8295313	Stop screw with limitation segment
10	409404.AE	8344859	Spout
11	131410.AE	8281509	Housing M22 int.
12	132205.AE	8281441	Aerator insert, 5 l/min at 200–600 kPa