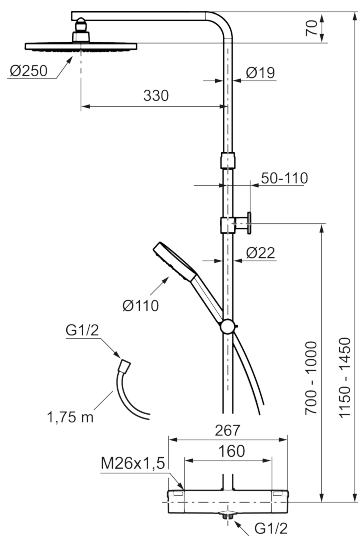




Unique characteristics



Backflow protection unit type **EB**



MMIX II shower system kit

Our classic chrome MMIX shower system is revised with a bold new straight-lined form and increased proportions for superior functionality and aesthetics. Internally, it features an updated thermostat to maximise energy efficiency while enhancing your showering experience.

Article number: 331800 Flow 3 bar: 7.6 l/m

Description: Chrome, 160 c/c

Consist of:

MORA MMIX II thermostatic mixer:

- Pressure balanced thermostatic mixer
- With reversible headwork
- Temperature handle with safety stop at 38°C
- With Eco-function
- Lead Free material
- Approved non-return valves, EN-Standard EN1717

MORA MMIX II Shower System:

- Shower hose in metal, PVC- and BPA-free
- With Easy-Clean anti-limescale system
- Wall bracket freely adjustable in height, 700–1000 from connection and 50–100 mm from wall, 2x20 mm spacers included, with sealing, hidden pipe joint