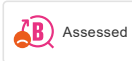

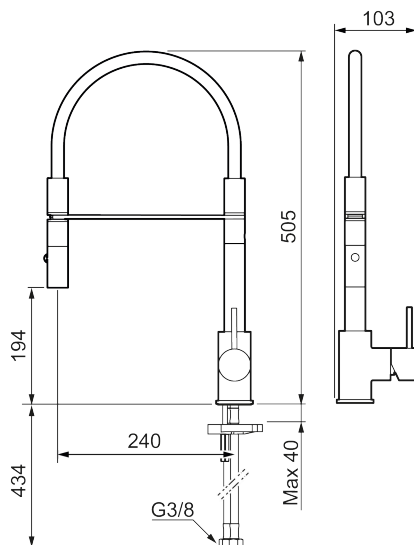




Unique characteristics



Backflow protection unit type 



MORA INXX II miniprofi kitchen mixer

With its durable matt white finish and contemporary look, the INXX II miniprofi is a strikingly tall mixer perfect for open-plan kitchens. The mixer has been tested and approved according to current building regulations and is energy-efficient, which means it reduces water and energy use without compromising on comfort.

About the collection

INXX II is an elegant, timeless collection in a palette of carefully selected colours. Offering a combination of high quality, sober design and outstanding comfort, this is the ultimate collection.

Article number: 272081.22CA Flow 3 bar: 6.0 l/m

Description: Matte white

- Nozzle with two spray patterns (normal and rinse)
- Ceramic cartridge
- Adjustable flow control and temperature limiter
- Eco (energy and water saving constant flow aerator, 6 l/min at 200–600 kPa)
- Swivel spout, limitation part for 60°, 85°, 110° or 360° included
- Soft PEX® hoses with 3/8" connecting nut (stainless steel braided)
- Approved non-return valves, EN-Standard EN1717
- Hole diameter Ø34-37 mm