



## MORA MMIX T5 safe shower mixer

Mora MMIX combines elegance and ergonomic design with energy-efficiency.

The Mora MMIX thermostats are equipped with Safe Touch, which means that the outside of the mixer remains relatively cool to touch. Products with the Safe Touch function is suitable for environments with specific requirements, for example within nursing homes and public facilities.

The mixers were developed according to our unique EcoSafe™ concept focusing on low energy consumption and long-term environmental care.

The mixer is lead-free.

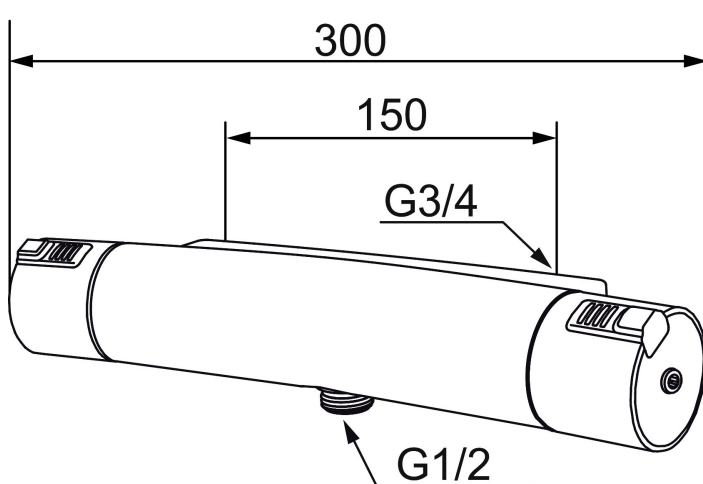
**Article number:** 731101.SA

**Description:** Chrome, incl. s-connection (2x701001)

Unique characteristics



Backflow protection unit type 



- With shower connection down
- Pressure balanced thermostatic mixer
- Temperature handle with safety stop at 38°C, maximum temperature at 43°C
- With Eco-function
- Lead Free material
- Equipped with function for thermal disinfection against legionella
- Approved non-return valves, EN-Standard EN1717

**PRODUCT DESCRIPTION**

# MORA MMIX T5 safe shower mixer

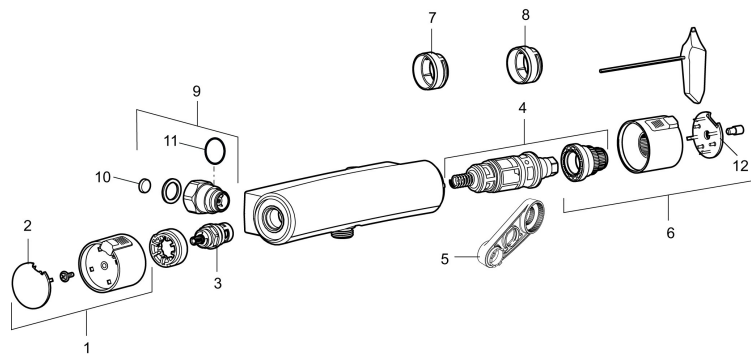
Mora MMIX combines elegance and ergonomic design with energy-efficiency.

The Mora MMIX thermostats are equipped with Safe Touch, which means that the outside of the mixer remains relatively cool to touch. Products with the Safe Touch function is suitable for environments with specific requirements, for example within nursing homes and public facilities.

The mixers were developed according to our unique EcoSafe™ concept focusing on low energy consumption and long-term environmental care.

The mixer is lead-free.

**Article number:** 731101.SA



## Sparepartlist

NO.	ART NO.	RSK	DESCRIPTION
1	409353.AA	8345088	On/off handle, complete, chrome, retail packed
2	409358.AA	8345089	End cover, chrome, retail packed
3	S600274	8397028	Ceramic headwork (G15)
4	409419.AE	8938271	Thermostatic cartridge, complete, with service tool
5	891096.AE	8345921	Service tool
6	409420.AE	8185711	Repair kit, equipped with system for thermal disinfection against legionella
7	409364.AE	8346506	Scalding protection ring, (max 42 °C)
8	409363.AE	8346505	Scalding protection ring, (standard)
9	409360.AA	8187781	Inlet connector 150 c/c (left-handed thread), retail packed
10	409359.AA	8345172	Filter kit for connecting links, retail packed
11	129131.AE	8295316	O-ring (18,1 x 1,6), 2 pcs
12	409456.AE		End cover, chrome, equipped with system for thermal disinfection against legionella, 5 pcs