



LYNX basin mixer

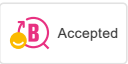
A basin mixer with a sculptural, timeless look in clean chrome or matte black. Flattened elements blend with soft curves for a dramatic profile. The mixer enjoys our leading sustainable functionality.


Article number: 343001.LD3 **Flow 3 bar:** 3.0 l/m

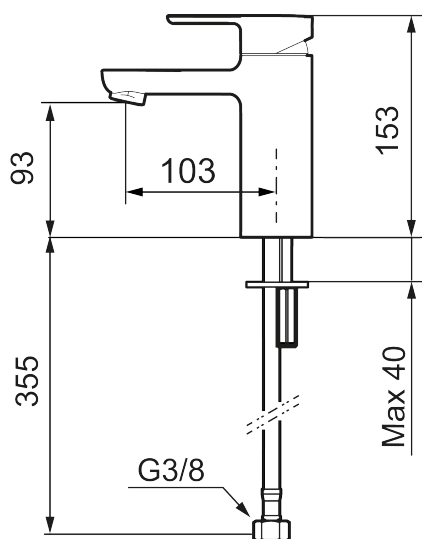
Description: Chrome, LEED/BREEAM compliant

- ESS (energy saving system)
- Adjustable flow control and temperature limiter
- Soft PEX® hoses with 3/8" connecting nut (stainless steel braided)
- Lead Free material
- Hole diameter Ø34-37 mm

Unique characteristics



Backflow protection unit type 

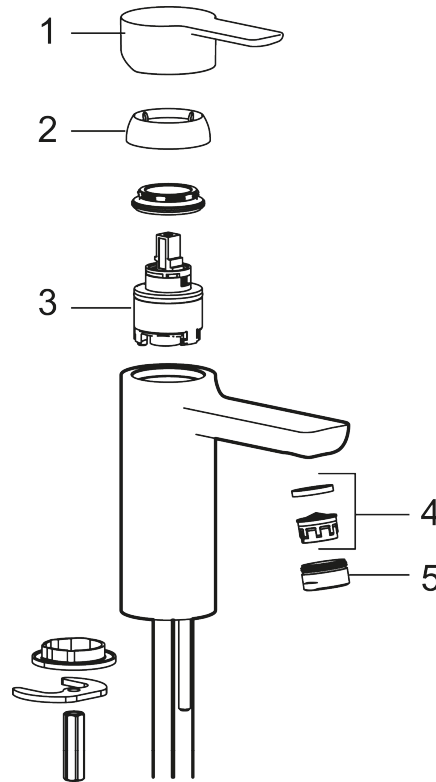


PRODUCT DESCRIPTION

LYNX basin mixer

A basin mixer with a sculptural, timeless look in clean chrome or matte black. Flattened elements blend with soft curves for a dramatic profile. The mixer enjoys our leading sustainable functionality.

Article number: 343001.LD3



Sparepartlist

NO.	ART NO.	RSK	DESCRIPTION
1	S600239	8387192	
1	S600239.12	8387193	
2	S600240	8397022	
2	S600240.12	8397023	
3	S600242	8387196	
4	132205.AE	8281441	Aerator insert, 5 l/min at 200–600 kPa
4	S600072	8281671	Aerator insert, 3 l/min at 200–600 kPa
4	S600226	8280024	Aerator insert, 1,7 l/min at 200–600 kPa
5	S600156	8280014	Housing M24 ext., 13 mm, chrome