



MMIX II sharp kitchen mixer

MMIX II sharp combines a clean-lined design with quality construction and environmentally friendly aspects, making this mixer a real winner. Lead-free with an ESS energy-saving system.

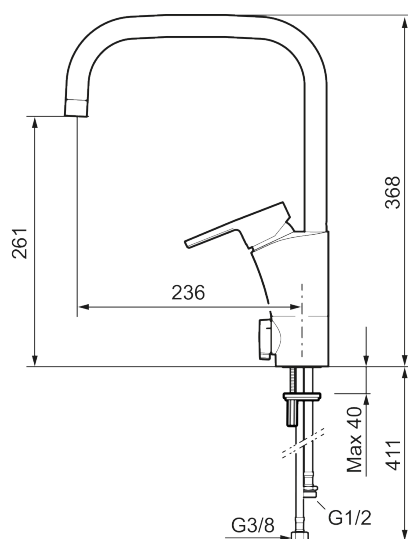
Article number: 332071 Flow 3 bar: 6.0 l/m

Description: Chrome

Unique characteristics



Backflow protection unit type **AA**



- ESS (energy saving system)
- Ceramic cartridge with soft closing function
- Adjustable flow control and temperature limiter
- Swivel spout 60°, 85°, 110° or 360° (limitation part for 60° or 110° included)
- With dishwasher valve, switchable between cold and hot water. Pre-set on cold water
- Soft PEX[®] hoses with 3/8" connecting nut (stainless steel braided)
- Lead Free material
- Hole diameter Ø34-37 mm