



## MORA INXX II sharp kitchen mixer

With its durable matt white finish and strong personality, the INXX II sharp kitchen mixer makes a stylish, contemporary statement in your kitchen. The mixer has been tested and approved according to current building regulations and is energy-efficient, which means it reduces water and energy use without compromising on comfort.

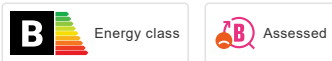
### About the collection


INXX II is an elegant, timeless collection in a palette of carefully selected colours. Offering a combination of high quality, sober design and outstanding comfort, this is the ultimate collection.

Article number: 272051.22CA Flow 3 bar: 6.0 l/m

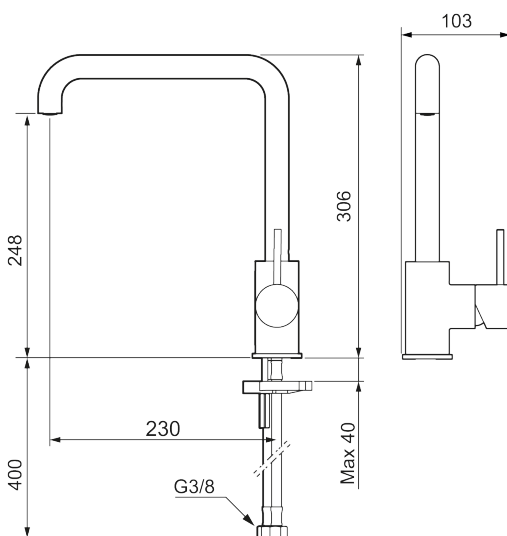
Description: Matte white

### Unique characteristics



Backflow protection unit type 

- Ceramic cartridge
- Adjustable flow control and temperature limiter
- Soft PEX® hoses with 3/8" connecting nut (stainless steel braided)
- Swivel spout, limitation part for 60°, 85°, 110° or 360° included
- Hole diameter Ø34-37 mm



PRODUCT DESCRIPTION

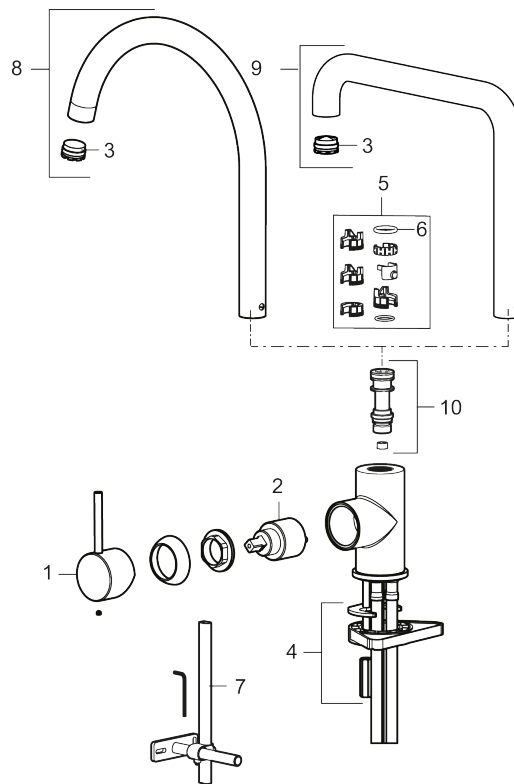
# MORA INXX II sharp kitchen mixer

With its durable matt white finish and strong personality, the INXX II sharp kitchen mixer makes a stylish, contemporary statement in your kitchen. The mixer has been tested and approved according to current building regulations and is energy-efficient, which means it reduces water and energy use without compromising on comfort.

## About the collection

INXX II is an elegant, timeless collection in a palette of carefully selected colours. Offering a combination of high quality, sober design and outstanding comfort, this is the ultimate collection.

Article number: 272051.22CA



## Sparepartlist

| NO. | ART NO.     | RSK     | DESCRIPTION                         |
|-----|-------------|---------|-------------------------------------|
| 1   | 409700.AE   | 8394069 | Lever, complete, chrome             |
| 1   | 409700.12AE | 8394070 | Lever, complete, matte black        |
| 1   | 409700.22AE | 8394071 | Lever, complete, matte white        |
| 1   | 409700.44AE | 8394072 | Lever, complete, matte grey         |
| 1   | 409700.60AE | 8394073 | Lever, complete, polished brass PVD |
| 1   | 409700.62AE | 8394074 | Lever, complete, brushed brass PVD  |
| 1   | 409700.76AE | 8394075 | Lever, complete, brushed nickel     |

| NO. | ART NO.     | RSK     | DESCRIPTION                      |
|-----|-------------|---------|----------------------------------|
| 2   | 409702.AE   | 8437059 | Ceramic cartridge                |
| 3   | S600230     |         | Aerator M21,5 ext., Z            |
| 4   | S600055     |         | Fastening details                |
| 5   | 209565.AE   |         | Limitation segment               |
| 6   | 708843.AE   | 8295357 | O-ring (15,54 x 2,62), 2 pcs     |
| 7   | 409340.AE   | 8531598 | Stabilization kit                |
| 8   | 409712.AE   | 8441027 | Swivel spout, chrome             |
| 8   | 409712.12AE | 8441028 | Swivel spout, matte black        |
| 8   | 409712.22AE | 8441029 | Swivel spout, matte white        |
| 8   | 409712.44AE | 8441030 | Swivel spout, matte grey         |
| 8   | 409712.60AE | 8441031 | Swivel spout, polished brass PVD |
| 8   | 409712.62AE | 8441032 | Swivel spout, brushed brass PVD  |
| 8   | 409712.76AE | 8441033 | Swivel spout, Brushed nickel     |
| 9   | 409713.AE   | 8441034 | Swivel spout, chrome             |
| 9   | 409713.12AE | 8441035 | Swivel spout, matte black        |
| 9   | 409713.22AE | 8441036 | Swivel spout, matte white        |
| 9   | 409713.44AE | 8441037 | Swivel spout, matte grey         |
| 9   | 409713.60AE | 8441038 | Swivel spout, polished brass PVD |
| 9   | 409713.62AE | 8441039 | Swivel spout, brushed brass PVD  |
| 9   | 409713.76AE | 8441040 | Swivel spout, Brushed nickel     |
| 10  | S600231     |         | Spout nipple, complete           |