



MORA MMIX K2 kitchen mixer


Mora MMIX combines elegance and ergonomic design with energy-efficiency. Soft geometric curves and a timeless style characterise the entire Mora MMIX range. The mixers were developed according to our unique EcoSafe™ concept focusing on low energy consumption and long-term environmental care.

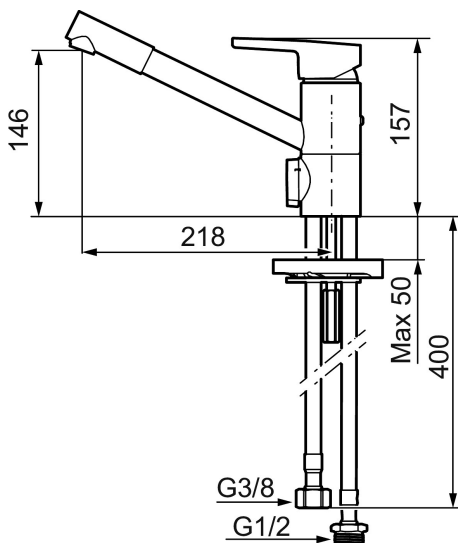
Article number: 732251.TT Flow 3 bar: 9.8 l/m

Description: Chrome, with Turbo-Jet function

Unique characteristics



Backflow protection unit type 



- ESS (energy saving system)
- Ceramic cartridge with soft closing function
- Adjustable flow control and temperature limiter
- Eco (energy and water saving aerator)
- Soft PEX® hoses with 3/8" connecting nut (stainless steel braided)
- Swivel spout 110°
- With dishwasher valve, switchable between cold and hot water. Pre-set on cold water
- Lead Free material
- Hole diameter Ø34-37 mm

PRODUCT DESCRIPTION

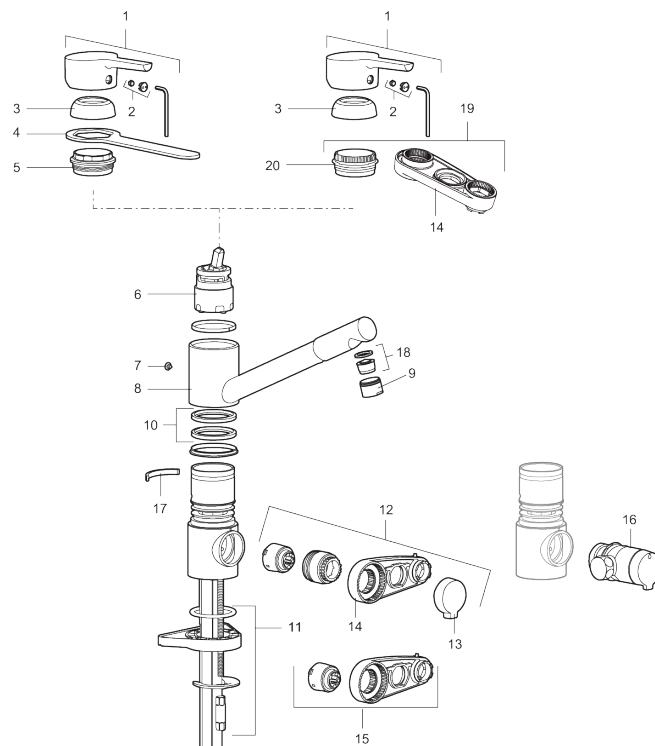
MORA MMIX K2 kitchen mixer

Mora MMIX combines elegance and ergonomic design with energy-efficiency. Soft geometric curves and a timeless style characterise the entire Mora MMIX range. The mixers were developed according to our unique EcoSafe™ concept focusing on low energy consumption and long-term environmental care.

Article number: 732251.TT

Produced before 2018.01

Produced after 2018.01



Sparepartlist

NO.	ART NO.	RSK	DESCRIPTION
1	409389.AE	8344867	Lever, complete
2	409392.AE	8344866	Colour marking and mounting screw for lever
3	409391.AE	8344865	Cover nut
4	891099.AE	8592423	Key
5	409610.AE	8241743	Lock nut for cartridge
6	409403.AE	8345132	Ceramic cartridge, incl service tool
6	409405.AE	8345205	Ceramic cartridge, Turbo, incl service tool
7	409611.AE	8241744	Stop screw
8	409685	8242427	Swivel spout, complete with jet concentrator
9	131417.AE	8281513	Housing M24 ext., 17 mm
10	409612.AE	8241745	Sealing rings (2 pcs)

NO.	ART NO.	RSK	DESCRIPTION
11	409457.AE		Fastening details for mixers without on/off valve
11	409458.AE		Fastening details for mixers with on/off valve
12	409104.AE	8322314	Dishwasher isolator cartridge, incl. service tool
13	409400.AE	8345180	Handle for dish washer connection
14	891096.AE	8345921	Service tool
15	209504.AE	8346905	Ceramic cartridge for dish washer connection CW/HW, incl. service tool
16	409399.AE	8347223	Rebuild.kit for dish washer
17	209558.AE	8346933	Limitation clamp for fixed spout and swivel 30-90°
18	131398.AE	8281493	Aerator insert, 9–11 l/min at 300 kPa
19	409393.AE	8345179	Lock nut for cartridge, incl service tool
20	439060.AE	8295361	Lock nut