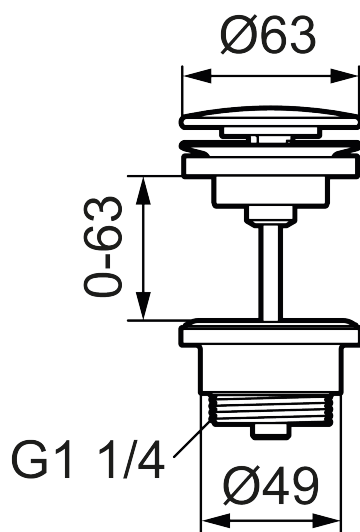




Unique characteristics



## Basin waste - free flow

Article number: S600066

Description: Chrome

- For basins in thicker materials without spillway overflow
- Mounting depth under the basin: 35 mm