



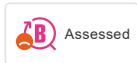
MORA CERA K7 kitchen mixer

In today's families, the kitchen is a space for socialising and creativity. A modern kitchen mixer must look good, work perfectly and promote a high level of hygiene and safety. That's why Mora Cera offers the things that everyone wants in their kitchen: thoughtfulness and quality time.

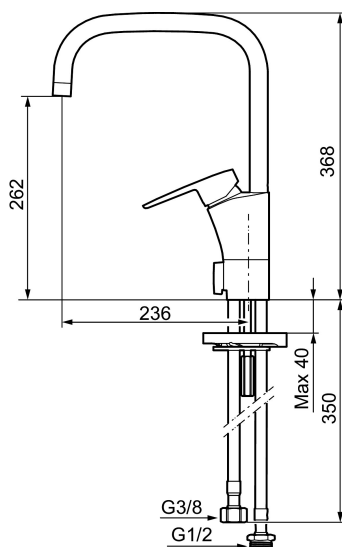
Article number: 242071 Flow 3 bar: 7.9 l/m

Description: Chrome

Unique characteristics



Backflow protection unit type



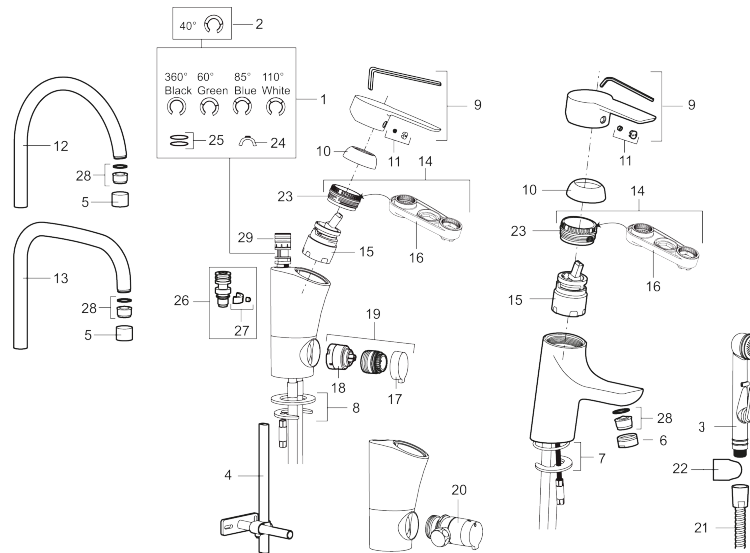
- ESS (energy saving system)
- Ceramic cartridge with soft closing function
- Adjustable flow control and temperature limiter
- Eco (energy and water saving aerator)
- Soft PEX[®] hoses with 3/8" connecting nut (stainless steel braided)
- Swivel spout, limitation part for 60°, 85°, 110° or 360° included
- With dishwasher valve, switchable between cold and hot water. Pre-set on cold water
- Hole diameter Ø32-37 mm

PRODUCT DESCRIPTION

MORA CERA K7 kitchen mixer

In today's families, the kitchen is a space for socialising and creativity. A modern kitchen mixer must look good, work perfectly and promote a high level of hygiene and safety. That's why Mora Cera offers the things that everyone wants in their kitchen: thoughtfulness and quality time.

Article number: 242071



Sparepartlist

NO.	ART NO.	RSK	DESCRIPTION
1	209524.AE	8346915	Limitation segment
2	209543.AE	8346916	Limitation segment 40°
3	S600206	8233049	Self-closing hand shower, chrome
4	409340.AE	8531598	Stabilization kit
5	131410.AE	8281509	Housing M22 int.
6	131413.AE	8281511	Housing M24 ext., 13 mm, chrome
7	409387.AE	8346912	Fastening details, basin
8	409388.AE	8346914	Fastening details, kitchen
9	409600.AE	8345186	Lever, complete
10	409391.AE	8344865	Cover nut
11	409392.AE	8344866	Colour marking and mounting screw for lever
12	409395.AE	8326732	Spout K5, complete
13	409396.AE	8326733	Spout K7, complete
14	409393.AE	8345179	Lock nut for cartridge, incl service tool
15	409403.AE	8345132	Ceramic cartridge, incl service tool

NO.	ART NO.	RSK	DESCRIPTION
16	891096.AE	8345921	Service tool
17	409400.AE	8345180	Handle for dish washer connection
18	209504.AE	8346905	Ceramic cartridge for dish washer connection CW/HW, incl. service tool
19	409104.AE	8322314	Dishwasher isolator cartridge, incl. service tool
20	409399.AE	8347223	Rebuild.kit for dish washer
21	S600207	8236647	Shower hose, L=1,5 m, chrome
22	130732.AE	8184186	Wall bracket
23	439060.AE	8295361	Lock nut
24	309519.AE	8295318	Fixed plug, 2 pcs (black/grey)
25	708843.AE	8295357	O-ring (15,54 x 2,62), 2 pcs
26	109016.AE	8295331	Spout nipple, complete, for fixed spout
27	139595.AE	8295313	Stop screw with limitation segment
28	132205.AE	8281441	Aerator insert, 5 l/min at 200–600 kPa
28	131394.AE	8242225	Aerator insert, 7–9 l/min at 300 kPa
28	132408.AE	8281439	Aerator insert, 8 l/min at 200–600 kPa
29	S600018	8394128	Spout nipple, complete