

## MMIX II shower mixer

We have updated our classic MMIX chrome shower mixer with a straighter shape and a bolder look. The result? Superior function and elegant style!

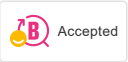
Its interior has also been upgraded with an improved thermostat, providing optimal energy efficiency combined with an unsurpassable shower experience.

**Article number:** 331100 **Flow 3 bar:** 12.0 l/m


**Description:** Chrome, 150 c/c

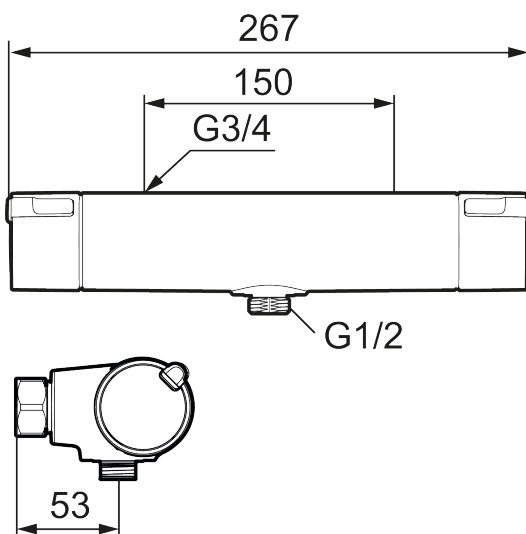


### Unique characteristics



- With shower connection down
- Pressure balanced thermostatic mixer
- Temperature handle with safety stop at 38°C
- With Eco-function
- Lead Free material
- Approved non-return valves, EN-Standard EN1717

Backflow protection unit type 

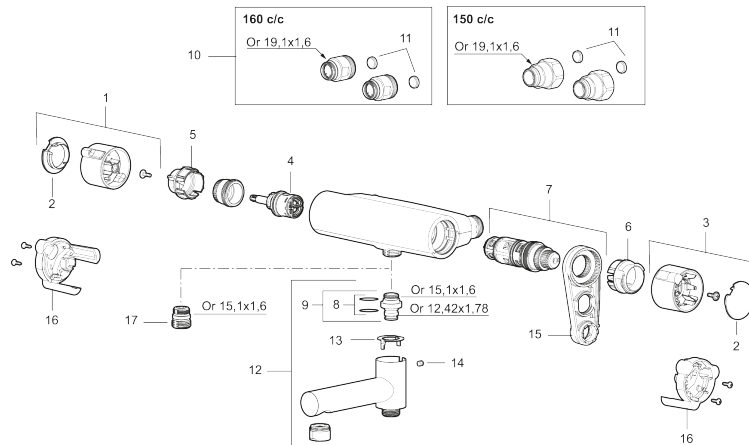


PRODUCT DESCRIPTION

# MMIX II shower mixer

We have updated our classic MMIX chrome shower mixer with a straighter shape and a bolder look. The result? Superior function and elegant style! Its interior has also been upgraded with an improved thermostat, providing optimal energy efficiency combined with an unsurpassable shower experience.

Article number: 331100



## Sparepartlist

NO.	ART NO.	RSK	DESCRIPTION
1	S600191	8397017	On/off handle, complete, chrome
2	S600192	8397019	End cover, chrome, 2 pcs
3	S600190	8397018	Temperature handle, complete, chrome
4	S600020	8441462	Ceramic headwork, with service tool (shower mixer)
4	S600269	8387232	Ceramic headwork, without tool (shower mixer)
4	S600021	8441463	Ceramic headwork, with service tool (bath mixer)
4	S600270	8387233	Ceramic headwork, without tool (bath mixer)
5	S600086	8439710	Stop ring, standard
6	S600087	8439711	Scalding protection ring
6	S600026	8439708	Scalding protection ring, max 42 °C
7	S600084	8439709	Thermostatic cartridge, complete, incl. service tool
7	S600271	8397030	Thermostatic cartridge, complete, without service tool
8	209519.AE	8938340	O-ring, for swivel spout
9	409366.AE		Nipple M18x1 with o-ring for bath mixer
10	409361.AE	8228492	Inlet connector 160 c/c
11	409359.AA	8345172	Filter kit for connecting links, retail packed
12	409356	8344853	Swivel spout, for conversion of shower mixer to bath/shower mixer, chrome

NO.	ART NO.	RSK	DESCRIPTION
13	129154.AE	8295332	Stop ring
14	708655.AE	8295447	Locking screw
15	891096.AE	8345921	Service tool
16	S600193	8397020	Care-handle, black, 2 pcs
17	S600088	8439712	Nipple M18x1-G1/2 for shower mixer