



Unique characteristics

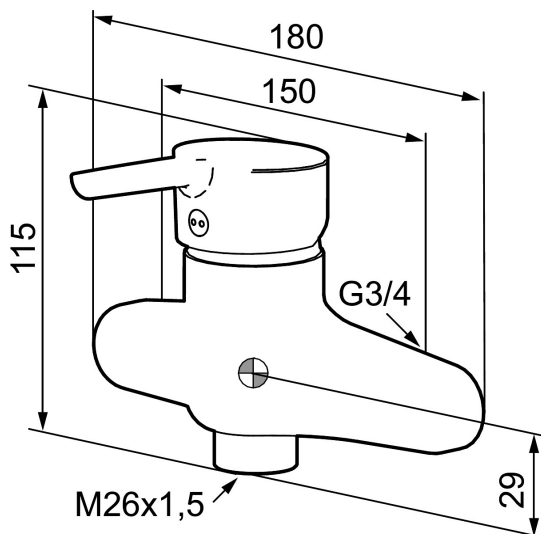
MORA MMIX W1 single lever mixer

Mora MMIX combines elegance and ergonomic design with energy-efficiency. Soft geometric curves and a timeless style characterise the entire Mora MMIX range. The mixers were developed according to our unique EcoSafe™ concept focusing on low energy consumption and long-term environmental care.

Article number: 731420.tt

Description: Chrom, incl. s-connection (2x701001), with Turbo-Jet function

- ESS (energy saving system)
- Ceramic cartridge with soft closing function
- Adjustable flow control and temperature limiter
- Projection with connectors 163 mm
- Approved non-return valves, EN-Standard EN1717
- Spout must be ordered separately, see chapter for spout

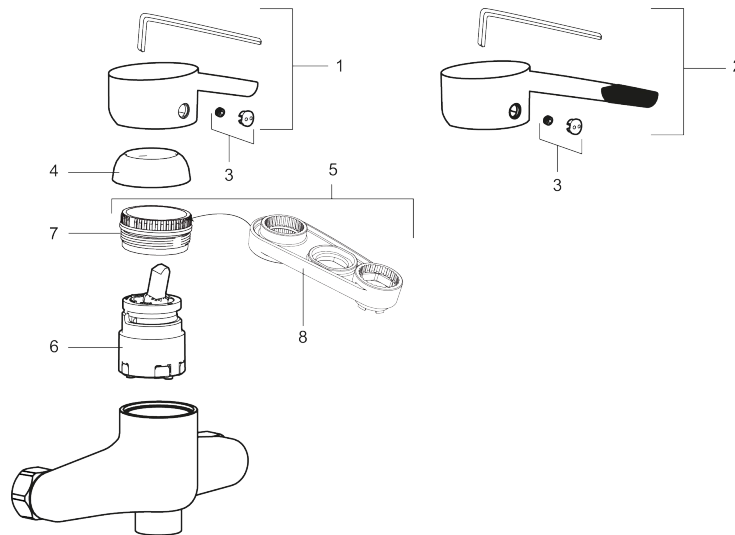


PRODUCT DESCRIPTION

MORA MMIX W1 single lever mixer

Mora MMIX combines elegance and ergonomic design with energy-efficiency. Soft geometric curves and a timeless style characterise the entire Mora MMIX range. The mixers were developed according to our unique EcoSafe™ concept focusing on low energy consumption and long-term environmental care.

Article number: 731420.tt



Sparepartlist

NO.	ART NO.	RSK	DESCRIPTION
1	409389.AE	8344867	Lever, complete
2	409390.AE	8344874	Care lever, complete, chrome
3	409392.AE	8344866	Colour marking and mounting screw for lever
4	409391.AE	8344865	Cover nut
5	409393.AE	8345179	Lock nut for cartridge, incl service tool
6	S600273	8387230	Ceramic cartridge with service tool, cold start (green ring)
6	409405.AE	8345205	Ceramic cartridge, Turbo, incl service tool
7	439060.AE	8295361	Lock nut
8	S600298	3870203	Service tool