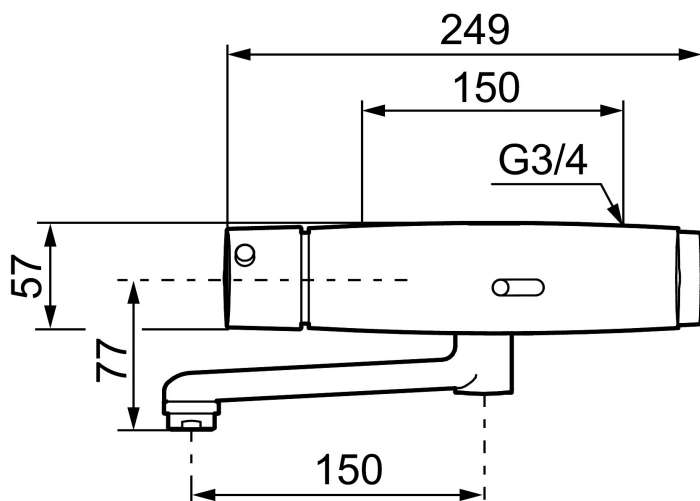




Unique characteristics



MORA tronic WMS basin mixer, battery operation

Article number: 720313.DB **Flow 3 bar:** 5.0 l/m

Description: Chrome, incl. s-connection (2x701001)

- WMS-mixers with possibilities of wireless connection (subscription is required)
- Adjustable hygiene flushing, intervals and rinsing time (to avoid stagnant water)
- Logging of all flushings with point of time, water consumption and temperature for individual mixer or group of mixers (minimum, maximum and average values)
- Battery monitoring
- Built-in temperature measurements of mixed water temperature
- Programmable temperature stop, the mixer will turn off directly at set maximum temperature
- With mixing valve (but also provides cold drinking water as well as hot water only)
- With self-draining spout
- Soft closing solenoid valve
- Safe against vandalism, complete in metal
- Eco (energy and water saving constant flow aerator, 5 l/min at 200–600 kPa)
- The mixer is activated by holding a hand in front of the sensor eye. Once started the mixer will run for 10 seconds, but can be turned off manually by holding a hand in front of the sensor again
- Flush Timeout - safety shut-off to prevent flooding, maximum of 30 seconds
- 30 sec. rinse time via sensor
- Can be turned off by solenoid valve (eg for cleaning)
- Low power consumption - Long life
- Equipped with system for thermal disinfection against legionella
- Battery operation, can be converted to mains operation
- IP class sensor, IP67
- Approved non-return valves, EN-Standard EN1717

Installation:

- Note! Gateway and a subscription is required for WMS
- Automatic sensor calibration
- Easy to change battery, without turning off the water supply
- Mains operation requires installation of the AC adapter art.no. S600132 and power supply art.no. S600129, alternatively transformer art.no. S600128

Settings:

- Adjustable max temperature
- With Gateway and WMS:
 - Hygiene flushing with adjustable time and intervals
 - Initiate hot water rinsing
 - Programming of rinsing times, temperature alarm och temperature stops
 - Alert signal if exceeding the time limit for stagnant water (the latest flushing)