



MORA INXX II soft, high basin mixer

Article number: 273021.44CA **Flow 3 bar:** 4.5 l/m

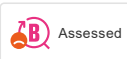
Description: Matte grey

- Ceramic cartridge
- Adjustable flow control and temperature limiter
- Soft PEX® hoses with 3/8" connecting nut (stainless steel braided)
- Hole diameter Ø34-37 mm

Unique characteristics

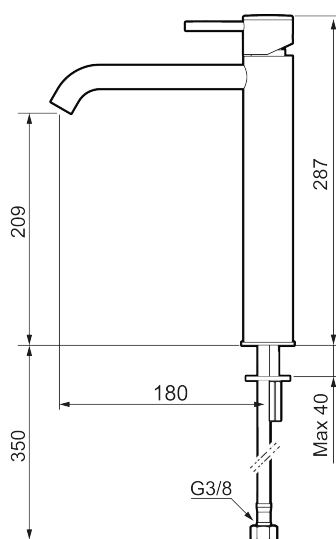


Energy class



Assessed

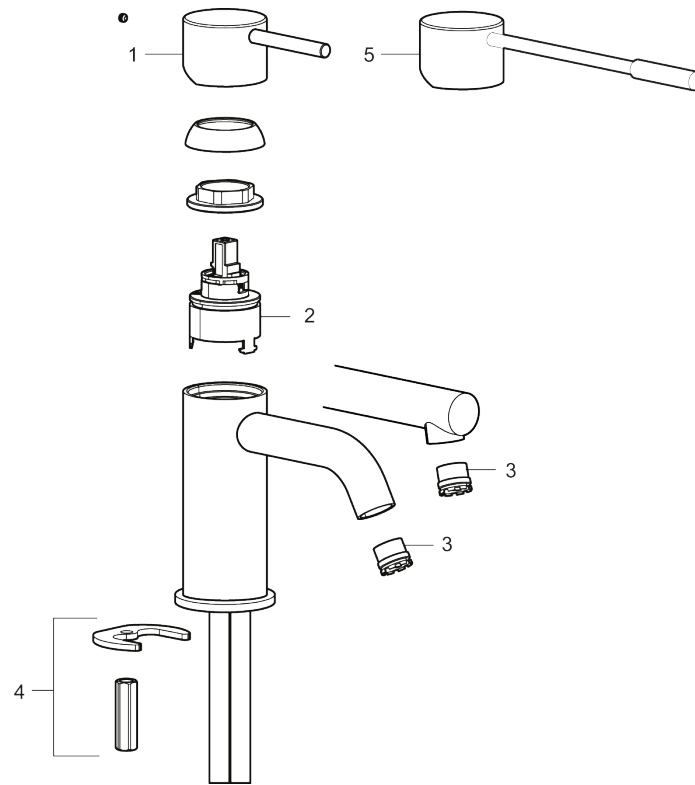
Backflow protection unit type



PRODUCT DESCRIPTION

MORA INXX II soft, high basin mixer

Article number: 273021.44CA



Sparepartlist

| NO. | ART NO. | RSK | DESCRIPTION |
|-----|-------------|---------|--------------------------------------------|
| 1 | 409701.AE | 8394076 | Lever, complete, chrome |
| 1 | 409701.12AE | 8394077 | Lever, complete, matte black |
| 1 | 409701.22AE | 8394078 | Lever, complete, matte white |
| 1 | 409701.44AE | 8394079 | Lever, complete, matte grey |
| 1 | 409701.60AE | 8394080 | Lever, complete, polished brass PVD |
| 1 | 409701.62AE | 8394081 | Lever, complete, brushed brass PVD |
| 2 | 409703.AE | 8437060 | Ceramic cartridge |
| 3 | 409706.AE | 8281571 | Aerator M16,5 ext., 5 l/min at 200–600 kPa |
| 3 | S600227 | | Aerator M16,5 ext., 3 l/min at 200–600 kPa |
| 4 | 209518.AE | 8346911 | Fastening details |
| 5 | 409708.AE | 8394122 | Care-handle, chrome |
| 5 | 409708.12AE | 8394123 | Care-handle, matte black |
| 5 | 409708.22AE | 8394124 | Care-handle, matte white |
| 5 | 409708.44AE | 8394125 | Care-handle, matte grey |

| NO. | ART NO. | RSK | DESCRIPTION |
|-----|-------------|---------|---------------------------------|
| 5 | 409708.60AE | 8394126 | Care-handle, polished brass PVD |
| 5 | 409708.62AE | 8394127 | Care-handle, brushed brass PVD |