



MORA MMIX tronic basin mixer, battery operation

Mora MMIX Tronic is a new sensor controlled basin mixer. Sensor controlled mixers started out in public facilities, but are increasingly finding their way into modern homes. A sensor detects when you put your hands underneath the mixer and automatically activates the water flow until you remove your hands. Hygienic, energy-efficient and childishly simple.

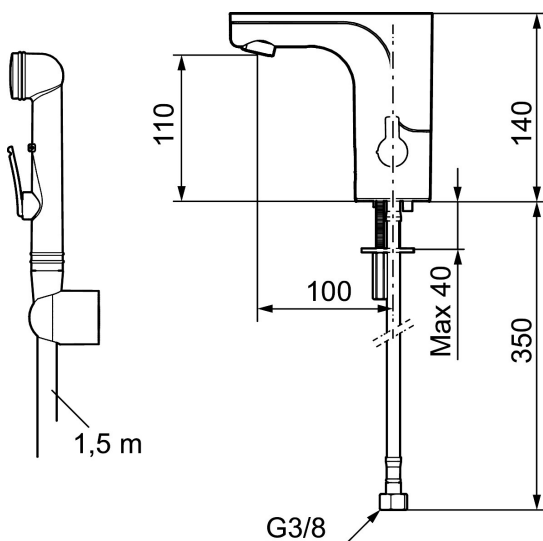
Article number: 720084 **Flow 3 bar:** 6.4 l/m

Description: Chrome, battery operation, included battery

Uniqe characteristics



Backflow protection unit type **EB**



- With temperature knob, battery operation (included battery)
- Self-closing hand shower, wall bracket and hose
- Soft closing solenoid valve
- Safe against vandalism, complete in metal
- Eco (energy and water saving constant flow aerator, 5 l/min at 200–600 kPa)
- Flush Timeout - safety shut-off to prevent flooding
- 30 sec. rinse time via sensor
- Can be turned off for 60 sec. (eg for cleaning)
- Low power consumption - Long life
- Equipped with system for thermal disinfection against legionella
- IP class sensor, IP67
- Approved non-return valves, EN-Standard EN1717
- Environmental friendly material, Lead free, Nickel Free

Installation:

- Automatic sensor calibration
- After adjusting to the desired temperature, knob can be replaced with a lid
- All models can be adapted for either battery 6V or mains operation 12V AC/DC
- For mains operation requires installation of the adapter kit art.no. S600147
- Soft Pex[®] hoses with integrated non return valves and filters (stainless steel braided)

- Hole diameter Ø33,5-37 mm

Settings:

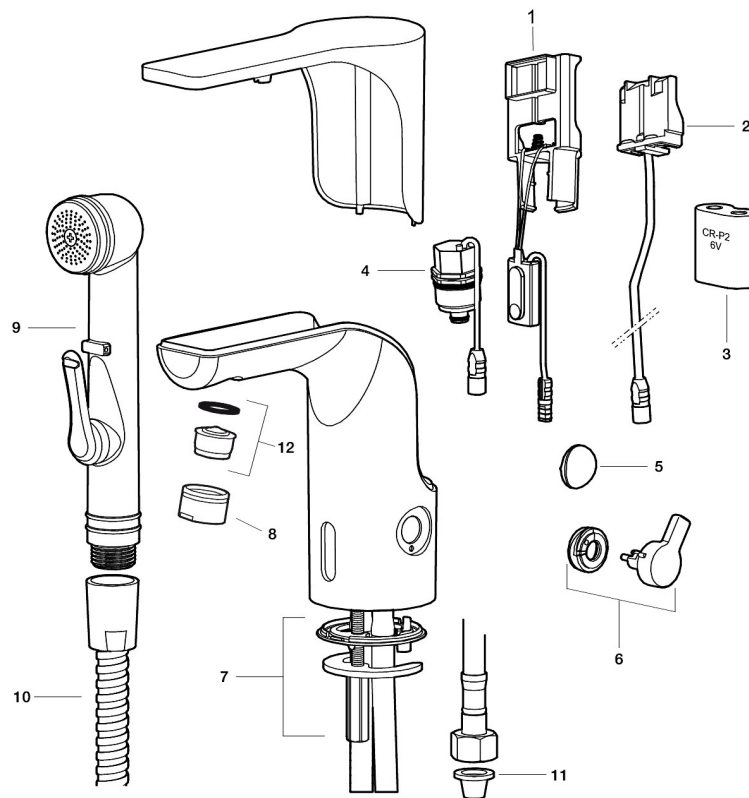
- Adjustable max temperature
- Programmable function for hygiene flushing
- Adjustable flush time

PRODUCT DESCRIPTION

MORA MMIX tronic basin mixer, battery operation

Mora MMIX Tronic is a new sensor controlled basin mixer. Sensor controlled mixers started out in public facilities, but are increasingly finding their way into modern homes. A sensor detects when you put your hands underneath the mixer and automatically activates the water flow until you remove your hands. Hygienic, energy-efficient and childishly simple.

Article number: 720084



Sparepartlist

| NO. | ART NO. | RSK | DESCRIPTION |
|-----|-------------|---------|---------------------------------------|
| 1 | 729450.ae | 8553556 | Electronic unit, standard |
| 1 | 729452.AE | 8553558 | Electronic unit, centrally controlled |
| 2 | S600131 | 8483190 | AC adapter |
| 3 | S600135 | 8483191 | Battery |
| 4 | 729455.AE | 8553561 | Solenoid valve |
| 5 | 729457.AE | 8553563 | Cover plug |
| 6 | 729456.AE | 8553562 | Lever, chrome |
| 6 | 729456.11AE | 8483168 | Lever, black PVD |
| 6 | 729456.14AE | 8483180 | Lever, polished copper PVD |

| NO. | ART NO. | RSK | DESCRIPTION |
|-----|-------------|---------|--|
| 6 | 729456.16AE | 8483181 | Lever, champagne PVD |
| 6 | 729456.60AE | 8483182 | Lever, polished brass PVD |
| 7 | 729458.AE | 8553564 | Fastening |
| 8 | 131415.AE | 8281512 | Housing M24 utv., 15 mm, chrome |
| 8 | 131415.11AE | 8281550 | Housing M24 utv., 15 mm, black PVD |
| 8 | 131415.14AE | 8281662 | Housing M24 ext., 15 mm, polished copper PVD |
| 8 | 131415.16AE | 8281663 | Housing M24 ext., 15 mm, champagne PVD |
| 8 | 131415.60AE | 8281664 | Housing M24 ext., 15 mm, polished brass PVD |
| 9 | 729485.AE | 8184336 | Self-closing handshower |
| 10 | S600207 | 8236647 | Shower hose, L=1,5 m, chrome |
| 11 | 129296.AE | 8295327 | Filter kit Soft PEX 3/8 (2 pcs) |
| 12 | 132205.AE | 8281441 | Aerator insert, 5 l/min at 200–600 kPa |
| 12 | S600072 | 8281671 | Aerator insert, 3 l/min at 200–600 kPa |