



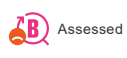
MORA REXX T5 shower mixer

With their simple, minimalist design, Mora REXX mixers are the essence of Scandinavian design and functionality. Their innovation lies in their precision. When tradition and craftsmanship meet state-of-the-art manufacturing methods and inspiring design, the result is Mora REXX. The version shown here is a beautiful bath mixer with world-leading functionality, providing unbeatable safety and comfort.

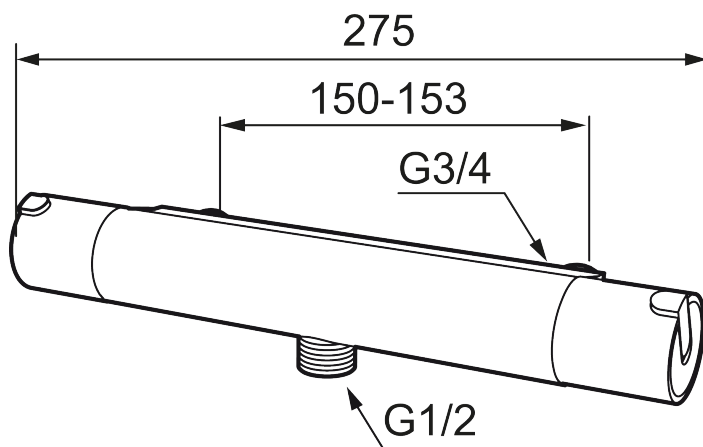
Article number: 707060.0011

Description: Chrome/black

Uniqe characteristics



Backflow protection unit type 



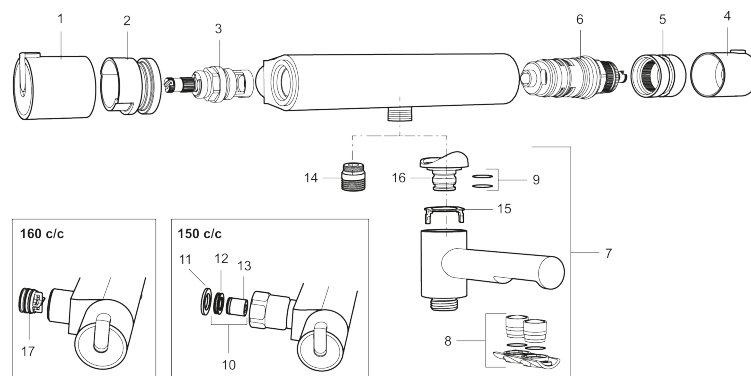
- With shower connection down
- Compensates for temperature and pressure fluctuations
- Temperature handle with safety stop at 38°C
- With Eco-function
- Approved non-return valves, EN-Standard EN1717

PRODUCT DESCRIPTION

MORA REXX T5 shower mixer

With their simple, minimalist design, Mora REXX mixers are the essence of Scandinavian design and functionality. Their innovation lies in their precision. When tradition and craftsmanship meet state-of-the-art manufacturing methods and inspiring design, the result is Mora REXX. The version shown here is a beautiful bath mixer with world-leading functionality, providing unbeatable safety and comfort.

Article number: 707060.0011



Sparepartlist

| NO. | ART NO. | RSK | DESCRIPTION |
|-----|---------------|---------|---|
| 1 | 209511.AE | 8345176 | Temperature handle, chrome |
| 1 | 209511.0011AE | 8345177 | Temperature handle, chrome/black |
| 2 | 209513.AE | 8346508 | Stop ring, temperature |
| 3 | 708467.AE | 8345124 | Headwork |
| 4 | 209510.AE | 8345163 | On/off handle, chrome |
| 4 | 209510.0011AE | 8345164 | On/off handle, chrome/black |
| 5 | 209512.AE | 8346507 | Stop ring, on/off |
| 6 | 708468.AE | 8345130 | Thermostatic unit |
| 7 | 209515 | 8344849 | Swivel spout, for conversion of shower mixer to bath/shower mixer, chrome |
| 7 | 209515.0011 | 8344850 | Swivel spout, for conversion of shower mixer to bath/shower mixer, chrome/black |
| 8 | 209516.AE | 8242291 | Aerator kit, chrome |
| 8 | 209516.0011AE | 8242295 | Aerator kit, chrome/Black |
| 9 | 209519.AE | 8938340 | O-ring, for swivel spout |
| 10 | 708338.AE | | Non-return valve (2 pcs) |
| 11 | 709339.AE | 8938274 | Gasket 24/15x2, 2 pcs |
| 12 | 708080.AE | | Holder for filter, complete |

| NO. | ART NO. | RSK | DESCRIPTION |
|-----|-----------|---------|----------------------------------|
| 13 | 139465.AE | 8186872 | Non-return valve, with lock ring |
| 14 | 409659.AE | 8187025 | Shower connector M18x1xG1/2 |
| 15 | 129154.AE | 8295332 | Stop ring |
| 16 | 209494.AE | 8314141 | Spout nipple incl cover ring |
| 17 | 129380.AE | 8345651 | Non-return valve (2 pcs) |