



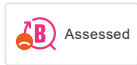
MORA CERA K5 kitchen mixer

In today's families, the kitchen is a space for socialising and creativity. A modern kitchen mixer must look good, work perfectly and promote a high level of hygiene and safety. That's why Mora Cera offers the things that everyone wants in their kitchen: thoughtfulness and quality time.

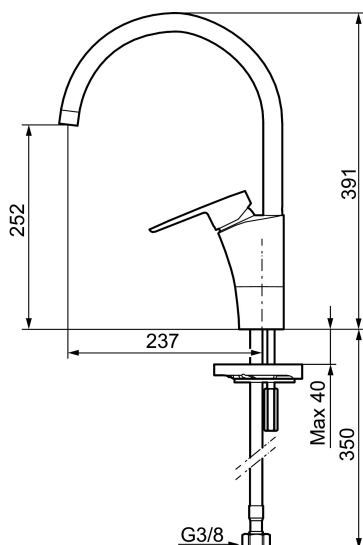
Article number: 242101 **Flow 3 bar:** 7.7 l/m

Description: Chrome

Unique characteristics



Backflow protection unit type



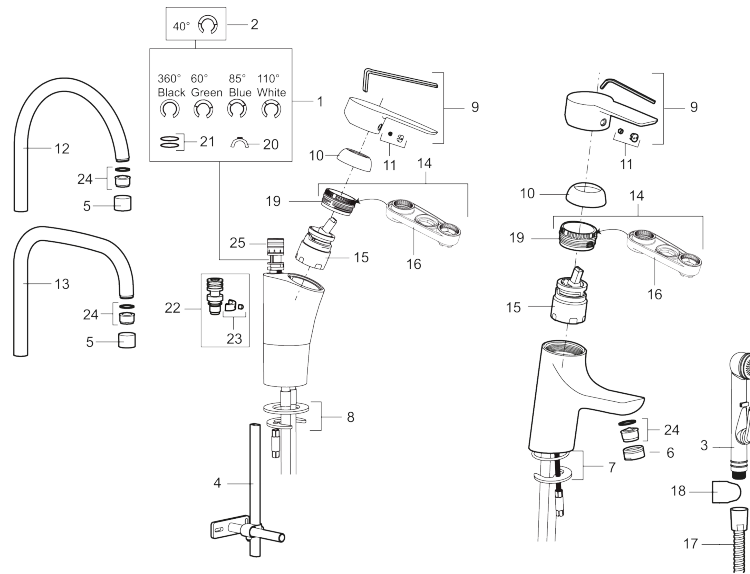
- ESS (energy saving system)
- Ceramic cartridge with soft closing function
- Adjustable flow control and temperature limiter
- Eco (energy and water saving aerator)
- Soft PEX[®] hoses with 3/8" connecting nut (stainless steel braided)
- Swivel spout, limitation part for 60°, 85°, 110° or 360° included
- Approved by the Rheumatism Association in Sweden
- Hole diameter Ø32-37 mm

PRODUCT DESCRIPTION

MORA CERA K5 kitchen mixer

In today's families, the kitchen is a space for socialising and creativity. A modern kitchen mixer must look good, work perfectly and promote a high level of hygiene and safety. That's why Mora Cera offers the things that everyone wants in their kitchen: thoughtfulness and quality time.

Article number: 242101



Sparepartlist

NO.	ART NO.	RSK	DESCRIPTION
1	209524.AE	8346915	Limitation segment
2	209543.AE	8346916	Limitation segment 40°
3	S600206	8233049	Self-closing hand shower, chrome
4	409340.AE	8531598	Stabilization kit
5	131410.AE	8281509	Housing M22 int.
6	131413.AE	8281511	Housing M24 ext., 13 mm, chrome
7	409387.AE	8346912	Fastening details, basin
8	409388.AE	8346914	Fastening details, kitchen
9	409600.AE	8345186	Lever, complete
10	409391.AE	8344865	Cover nut
11	409392.AE	8344866	Colour marking and mounting screw for lever
12	409395.AE	8326732	Spout K5, complete
13	409396.AE	8326733	Spout K7, complete
14	409393.AE	8345179	Lock nut for cartridge, incl service tool
15	409403.AE	8345132	Ceramic cartridge, incl service tool

NO.	ART NO.	RSK	DESCRIPTION
16	891096.AE	8345921	Service tool
17	S600207	8236647	Shower hose, L=1,5 m, chrome
18	130732.AE	8184186	Wall bracket
19	439060.AE	8295361	Lock nut
20	309519.AE	8295318	Fixed plug, 2 pcs (black/grey)
21	708843.AE	8295357	O-ring (15,54 x 2,62), 2 pcs
22	109016.AE	8295331	Spout nipple, complete, for fixed spout
23	139595.AE	8295313	Stop screw with limitation segment
24	132205.AE	8281441	Aerator insert, 5 l/min at 200–600 kPa
24	131394.AE	8242225	Aerator insert, 7–9 l/min at 300 kPa
24	132408.AE	8281439	Aerator insert, 8 l/min at 200–600 kPa
25	S600018	8394128	Spout nipple, complete