



MORA REXX T5 shower mixer


With their simple, minimalist design, Mora REXX mixers are the essence of Scandinavian design and functionality. Their innovation lies in their precision. When tradition and craftsmanship meet state-of-the-art manufacturing methods and inspiring design, the result is Mora REXX. The version shown here is a beautiful bath mixer with world-leading functionality, providing unbeatable safety and comfort.

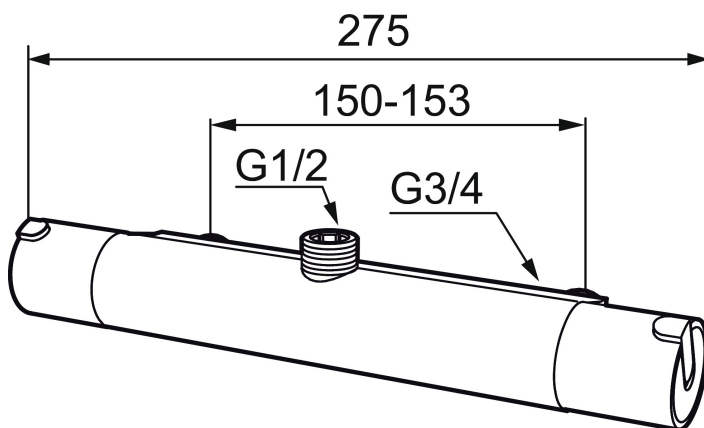
Article number: 707065.0011DB

Description: Chrome/black, incl. (2 x 701001)

- With connection up for Shower Systems
- Temperature handle with safety stop at 38°C
- With Eco-function
- Approved non-return valves, EN-Standard EN1717

Unique characteristics

Backflow protection unit type 



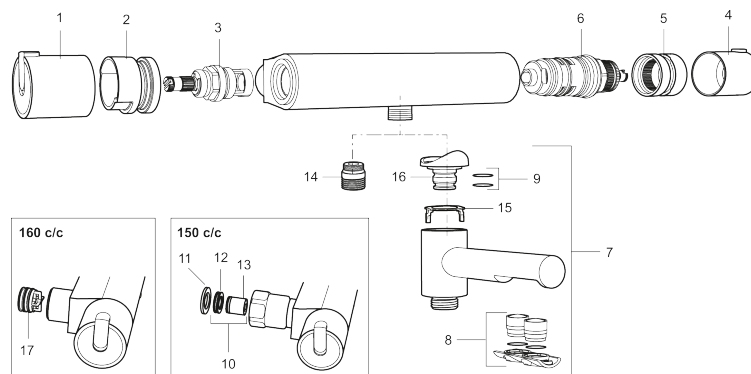
PRODUCT DESCRIPTION

MORA REXX T5 shower mixer

With their simple, minimalist design, Mora REXX mixers are the essence of Scandinavian design and functionality. Their innovation lies in their precision. When tradition and craftsmanship meet state-of-the-art manufacturing methods and inspiring design, the result is Mora REXX. The version shown here is a beautiful bath mixer with world-leading functionality, providing unbeatable safety and comfort.

Article number:

707065.0011DB



Sparepartlist

NO.	ART NO.	RSK	DESCRIPTION
1	209511.AE	8345176	Temperature handle, chrome
1	209511.0011AE	8345177	Temperature handle, chrome/black
2	209513.AE	8346508	Stop ring, temperature
3	708467.AE	8345124	Headwork
4	209510.AE	8345163	On/off handle, chrome
4	209510.0011AE	8345164	On/off handle, chrome/black
5	209512.AE	8346507	Stop ring, on/off
6	708468.AE	8345130	Thermostatic unit
7	209515	8344849	Swivel spout, for conversion of shower mixer to bath/shower mixer, chrome
7	209515.0011	8344850	Swivel spout, for conversion of shower mixer to bath/shower mixer, chrome/black
8	209516.AE	8242291	Aerator kit, chrome
8	209516.0011AE	8242295	Aerator kit, chrome/Black
9	209519.AE	8938340	O-ring, for swivel spout
10	708338.AE		Non-return valve (2 pcs)
11	709339.AE	8938274	Gasket 24/15x2, 2 pcs
12	708080.AE		Holder for filter, complete
13	139465.AE	8186872	Non-return valve, with lock ring

NO.	ART NO.	RSK	DESCRIPTION
14	409659.AE	8187025	Shower connector M18x1xG1/2
15	38521000	8295345	Stop ring
16	209494.AE	8314141	Spout nipple incl cover ring
17	129380.AE	8345651	Non-return valve (2 pcs)