



## MORA MMIX K2 kitchen mixer

Mora MMIX combines elegance and ergonomic design with energy-efficiency. Soft geometric curves and a timeless style characterise the entire Mora MMIX range. The mixers were developed according to our unique EcoSafe™ concept focusing on low energy consumption and long-term environmental care.

Article number: 732201

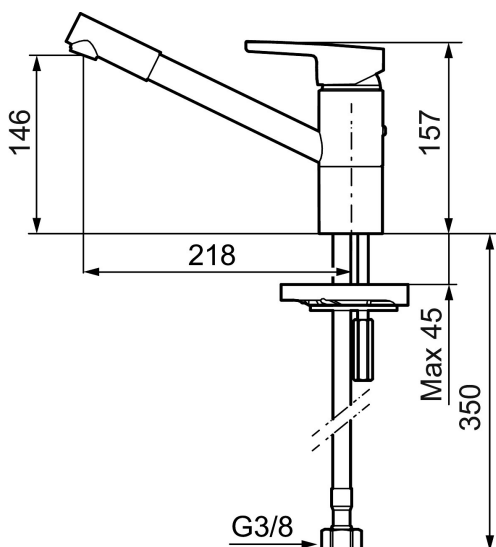
Description: Chrome, connection nut G3/8"

### Unique characteristics



- ESS (energy saving system)
- Ceramic cartridge with soft closing function
- Adjustable flow control and temperature limiter
- Eco (energy and water saving aerator)
- Soft PEX® hoses (stainless steel braided)
- Swivel spout 110°
- Approved by the Rheumatism Association in Sweden
- Lead Free material
- Hole diameter Ø34-37 mm

Backflow protection unit type 

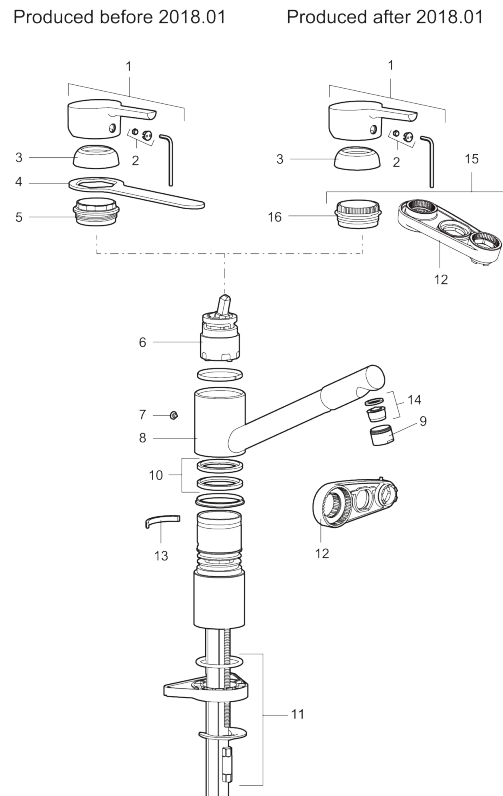


PRODUCT DESCRIPTION

# MORA MMIX K2 kitchen mixer

Mora MMIX combines elegance and ergonomic design with energy-efficiency. Soft geometric curves and a timeless style characterise the entire Mora MMIX range. The mixers were developed according to our unique EcoSafe™ concept focusing on low energy consumption and long-term environmental care.

Article number: 732201



## Sparepartlist

| NO. | ART NO.   | RSK     | DESCRIPTION                                  |
|-----|-----------|---------|--|
| 1   | 409389.AE | 8344867 | Lever, complete                              |
| 2   | 409392.AE | 8344866 | Colour marking and mounting screw for lever  |
| 3   | 409391.AE | 8344865 | Cover nut                                    |
| 4   | 891099.AE | 8592423 | Key  |
| 5   | 409610.AE | 8241743 | Lock nut for cartridge                       |
| 6   | 409403.AE | 8345132 | Ceramic cartridge, incl service tool         |
| 6   | 409405.AE | 8345205 | Ceramic cartridge, Turbo, incl service tool  |
| 7   | 409611.AE | 8241744 | Stop screw                                   |
| 8   | 409685    | 8242427 | Swivel spout, complete with jet concentrator |
| 9   | 131417.AE | 8281513 | Housing M24 ext., 17 mm                      |
| 10  | 409612.AE | 8241745 | Sealing rings (2 pcs)                        |

| NO. | ART NO.   | RSK     | DESCRIPTION  |
|-----|-----------|---------|--|
| 11  | 409457.AE |         | Fastening details for mixers without on/off valve  |
| 12  | 891096.AE | 8345921 | Service tool                                       |
| 13  | 209558.AE | 8346933 | Limitation clamp for fixed spout and swivel 30-90° |
| 14  | 131398.AE | 8281493 | Aerator insert, 9–11 l/min at 300 kPa              |
| 15  | 409393.AE | 8345179 | Lock nut for cartridge, incl service tool          |
| 16  | 439060.AE | 8295361 | Lock nut   |