



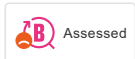
MORA INXX II sharp kitchen mixer


Article number: 272071.LD3 **Flow 3 bar:** 3.8 l/m

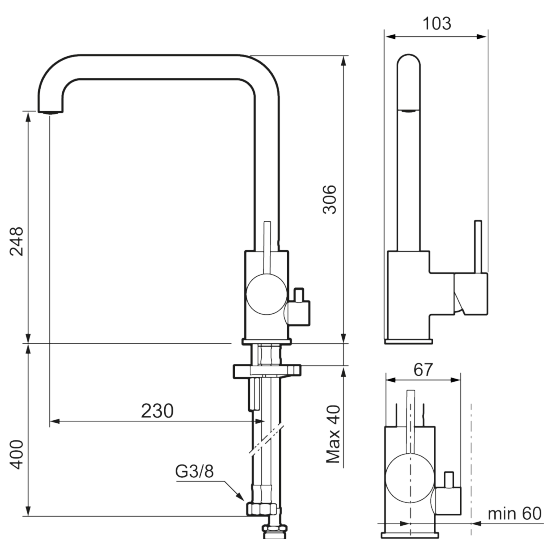
Description: Chrome, LEED/BREEAM compliant

- Ceramic cartridge
- Adjustable flow control and temperature limiter
- Soft PEX[®] hoses with 3/8" connecting nut (stainless steel braided)
- Swivel spout, limitation part for 60°, 85°, 110° or 360° included
- With dish washer valve CW, not adjustable to HW
- Hole diameter Ø34-37 mm

Unique characteristics



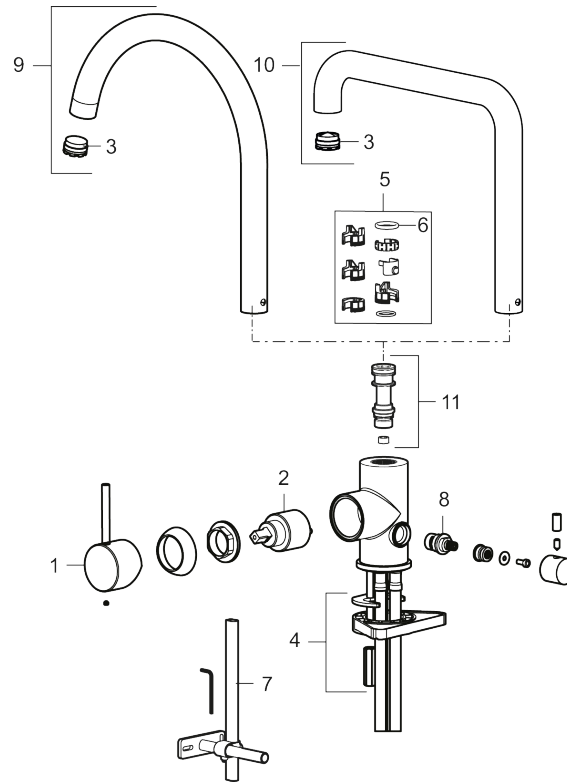
Backflow protection unit type 



PRODUCT DESCRIPTION

MORA INXX II sharp kitchen mixer

Article number: 272071.LD3



Sparepartlist

| NO. | ART NO. | RSK | DESCRIPTION |
|-----|-------------|---------|----------------------------------------------|
| 1 | 409700.AE | 8394069 | Lever, complete, chrome |
| 1 | 409700.12AE | 8394070 | Lever, complete, matte black |
| 1 | 409700.22AE | 8394071 | Lever, complete, matte white |
| 1 | 409700.44AE | 8394072 | Lever, complete, matte grey |
| 1 | 409700.60AE | 8394073 | Lever, complete, polished brass PVD |
| 1 | 409700.62AE | 8394074 | Lever, complete, brushed brass PVD |
| 1 | 409700.76AE | 8394075 | Lever, complete, brushed nickel |
| 2 | 409702.AE | 8437059 | Ceramic cartridge |
| 3 | S600230 | | Aerator M21,5 ext., Z |
| 4 | S600055 | | Fastening details |
| 5 | 209565.AE | | Limitation segment |
| 6 | 708843.AE | 8295357 | O-ring (15,54 x 2,62), 2 pcs |
| 7 | S600308 | 8387263 | Stabilizer kit |
| 8 | 409707.AE | 8394082 | Ceramic cartridge for dish washer connection |

| NO. | ART NO. | RSK | DESCRIPTION |
|-----|-------------|---------|----------------------------------|
| 9 | 409712.AE | 8441027 | Swivel spout, chrome |
| 9 | 409712.12AE | 8441028 | Swivel spout, matte black |
| 9 | 409712.22AE | 8441029 | Swivel spout, matte white |
| 9 | 409712.44AE | 8441030 | Swivel spout, matte grey |
| 9 | 409712.60AE | 8441031 | Swivel spout, polished brass PVD |
| 9 | 409712.62AE | 8441032 | Swivel spout, brushed brass PVD |
| 9 | 409712.76AE | 8441033 | Swivel spout, Brushed nickel |
| 10 | 409713.AE | 8441034 | Swivel spout, chrome |
| 10 | 409713.12AE | 8441035 | Swivel spout, matte black |
| 10 | 409713.22AE | 8441036 | Swivel spout, matte white |
| 10 | 409713.44AE | 8441037 | Swivel spout, matte grey |
| 10 | 409713.60AE | 8441038 | Swivel spout, polished brass PVD |
| 10 | 409713.62AE | 8441039 | Swivel spout, brushed brass PVD |
| 10 | 409713.76AE | 8441040 | Swivel spout, Brushed nickel |
| 11 | S600231 | | Spout nipple, complete |