
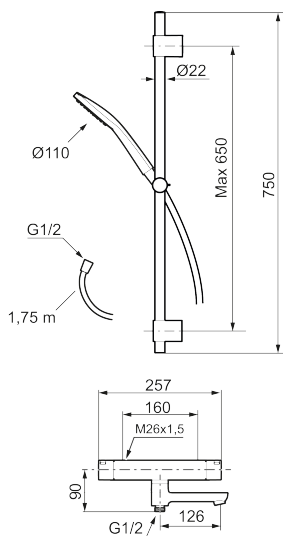




Unique characteristics



Backflow protection unit type 



LYNX bath & shower kit

The LYNX bath and shower kit effortlessly elevates your bathroom styling and bathing experience. In clean chrome and matte black, it offers heightened aesthetics and water technology at your fingertips.

Article number: 341700 Flow 3 bar: 22.9 l/m

Description: Chrome, 160 c/c

Consist of:

MORA LYNX thermostatic mixer:

- Swivel spout with built-in diverter
- Pressure balanced thermostatic mixer
- Temperature handle with safety stop at 38°C
- With Eco-function
- Lead Free material
- Approved non-return valves, EN-Standard EN1717

MORA LYNX shower set (art.no. 341300):

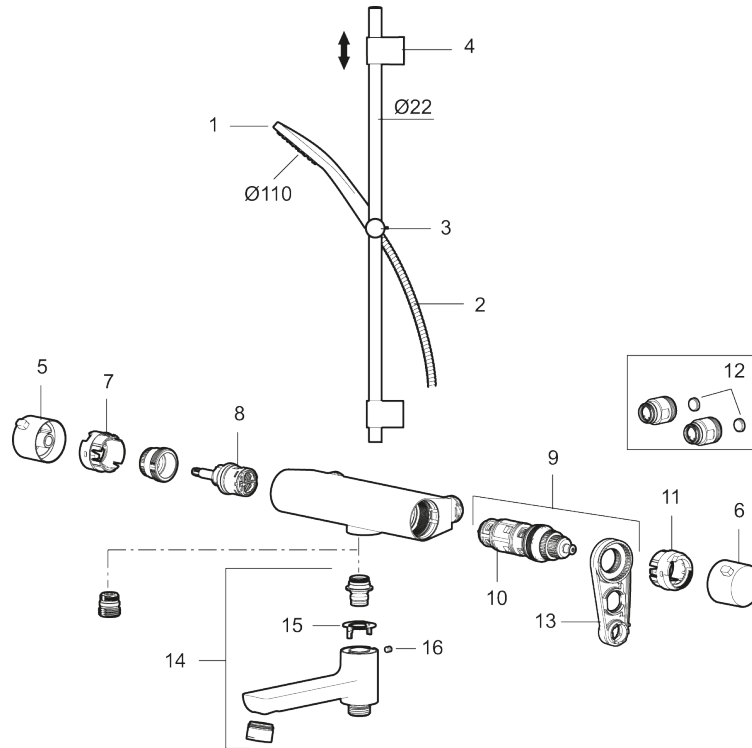
- Shower hose in metal, PVC- and BPA-free
- With adjustable wall brackets for usage of existing screw holes
- With Easy-Clean anti-limescale system

PRODUCT DESCRIPTION

LYNX bath & shower kit

The LYNX bath and shower kit effortlessly elevates your bathroom styling and bathing experience. In clean chrome and matte black, it offers heightened aesthetics and water technology at your fingertips.

Article number: 341700



Sparepartlist

NO.	ART NO.	RSK	DESCRIPTION
1	S600238	8233065	
1	S600238.12	8233100	
2	S600109	8252036	Shower hose, chrome
2	S600109.12	8236624	Shower hose in metal, 1750 mm, matte black
3	S600246	8239619	Slider, chrome
3	S600246.12	8239664	Slider, matte black
4	S600266	8239702	Wall bracket, chrome, 2 pcs
4	S600266.12	8239703	
5	S600237	8397026	
5	S600237.12	8397027	
6	S600236	8397024	
6	S600236.12	8397025	
7	S600250	8397044	

NO.	ART NO.	RSK	DESCRIPTION
8	S600021	8441463	Ceramic headwork, with service tool (bath mixer)
8	S600270	8387233	Ceramic headwork, without tool (bath mixer)
9	S600084	8439709	Thermostatic cartridge, complete, incl. service tool
9	S600271	8397030	Thermostatic cartridge, complete, without service tool
10	S600270	8387233	Ceramic headwork, without tool (bath mixer)
11	S600023	8439703	Stop ring
12	409359.AA	8345172	Filter kit for connecting links, retail packed
13	S600298	3870203	Service tool
14	S600247	8441050	
14	S600247.12	8441051	
15	38521000	8295345	Stop ring
16	708655.AE	8295447	Locking screw